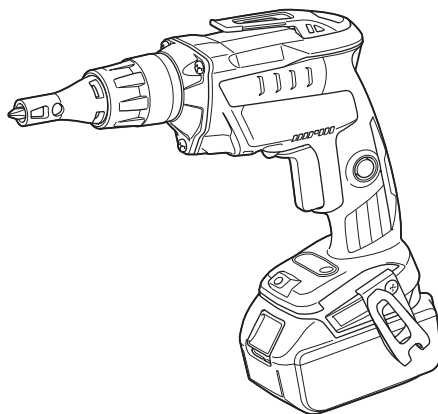




EN	Cordless Screwdriver	INSTRUCTION MANUAL	4
UK	Бездротовий шурупверт	ІНСТРУКЦІЯ З ЕКСПЛУАТАЦІЇ	9
PL	Wkrętarka Bezprzewodowa	INSTRUKCJA OBSŁUGI	15
RO	Mașină de înșurubat cu acumulator	MANUAL DE INSTRUCȚIUNI	21
DE	Akku-Schrauber	BEDIENUNGSANLEITUNG	26
HU	Akkumulátoros csavarbehajtó	HASZNÁLATI KÉZIKÖNYV	32
SK	Akumulátorový skrutkovač	NÁVOD NA OBSLUHU	37
CS	Akumulátorový šroubovák	NÁVOD K OBSLUZE	42

DFS452



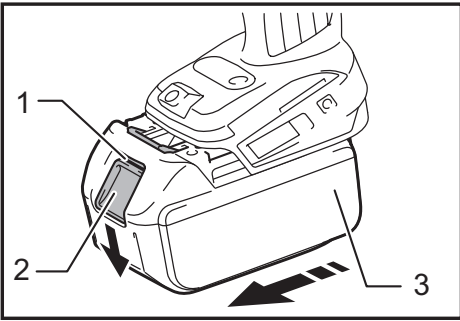


Fig.1

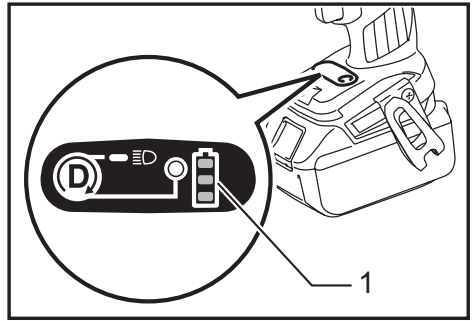


Fig.5

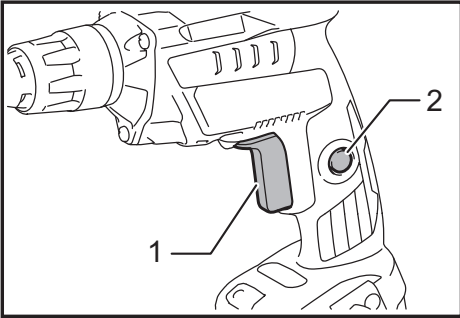


Fig.2

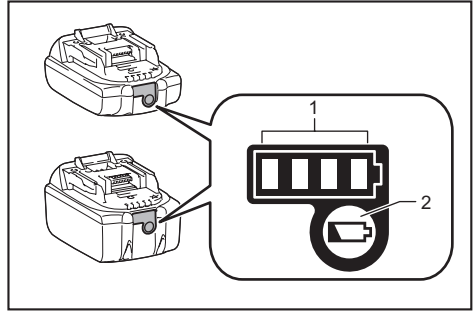


Fig.6

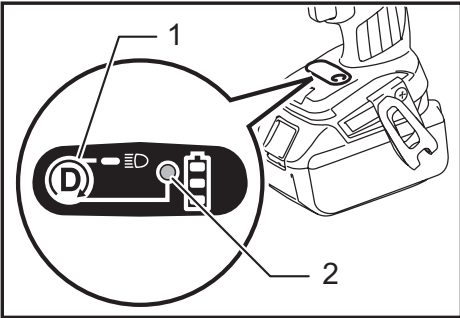


Fig.3

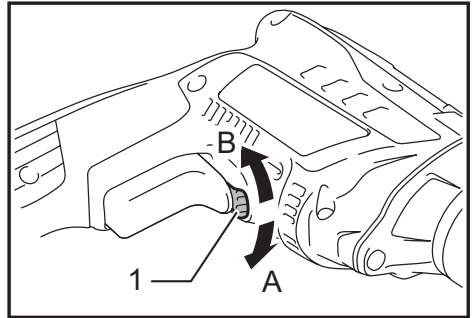


Fig.7

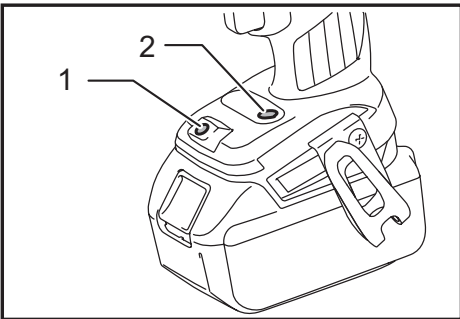


Fig.4

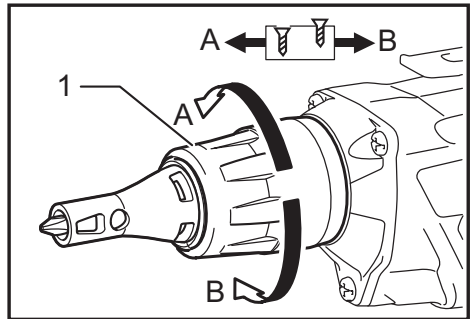


Fig.8

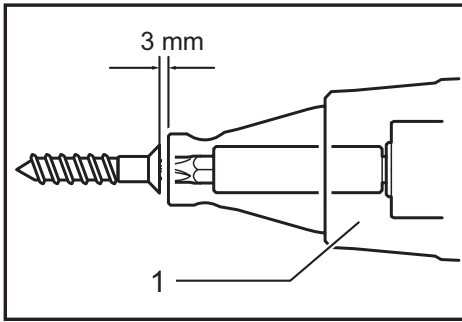


Fig.9

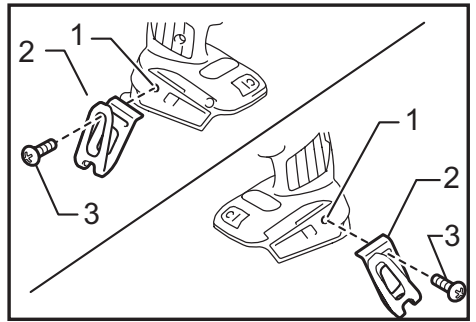


Fig.13

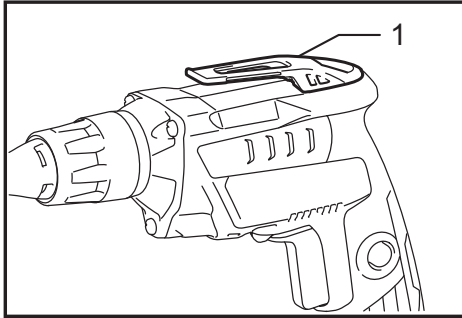


Fig.10

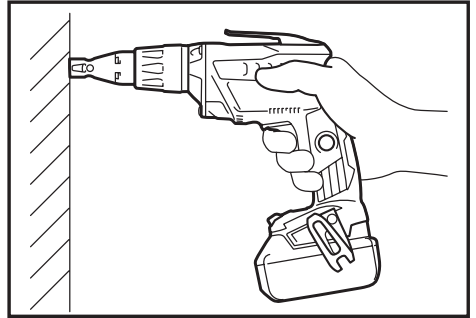


Fig.14

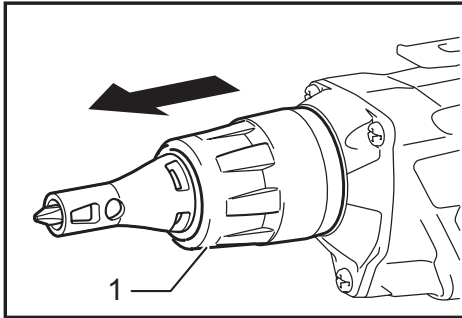


Fig.11

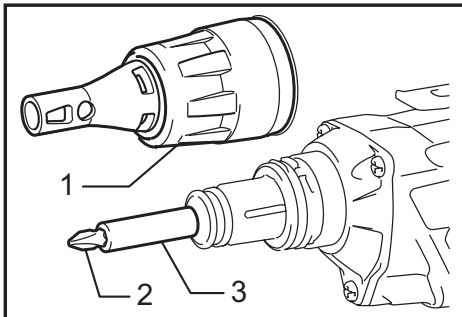


Fig.12

SPECIFICATIONS

Model		DFS452
Capacities	Self drilling screw	6 mm
	Drywall screw	5 mm
No load speed		0 - 4,000 min ⁻¹
Overall length	With short locator	235 mm
	With long locator	251 mm
Net weight		1.5 - 1.8 kg
Rated voltage		D.C. 18 V

- Due to our continuing program of research and development, the specifications herein are subject to change without notice.
- Specifications may differ from country to country.
- The weight may differ depending on the attachment(s), including the battery cartridge. The lightest and heaviest combination, according to EPTA-Procedure 01/2014, are shown in the table.

Applicable battery cartridge and charger

Battery cartridge	BL1815N / BL1820 / BL1820B / BL1830 / BL1830B / BL1840 / BL1840B / BL1850 / BL1850B / BL1860B
Charger	DC18RC / DC18RD / DC18RE / DC18SD / DC18SE / DC18SF

- Some of the battery cartridges and chargers listed above may not be available depending on your region of residence.

⚠ WARNING: Only use the battery cartridges and chargers listed above. Use of any other battery cartridges and chargers may cause injury and/or fire.

Intended use

The tool is intended for screw driving in wood, metal and plastic.

Noise

The typical A-weighted noise level determined according to EN62841:

Sound pressure level (L_{pA}): 72 dB (A)

Uncertainty (K): 3 dB (A)

The noise level under working may exceed 80 dB (A).

Wear ear protection

Vibration

The vibration total value (tri-axial vector sum) determined according to EN62841:

Work mode: screwdriving without impact

Vibration emission (a_h): 2.5 m/s² or less

Uncertainty (K): 1.5 m/s²

NOTE: The declared vibration emission value has been measured in accordance with the standard test method and may be used for comparing one tool with another.

NOTE: The declared vibration emission value may also be used in a preliminary assessment of exposure.

⚠ WARNING: The vibration emission during actual use of the power tool can differ from the declared emission value depending on the ways in which the tool is used.

⚠ WARNING: Be sure to identify safety measures to protect the operator that are based on an estimation of exposure in the actual conditions of use (taking account of all parts of the operating cycle such as the times when the tool is switched off and when it is running idle in addition to the trigger time).

EC Declaration of Conformity

For European countries only

The EC declaration of conformity is included as Annex A to this instruction manual.

General power tool safety warnings

⚠ WARNING: Read all safety warnings, instructions, illustrations and specifications provided with this power tool. Failure to follow all instructions listed below may result in electric shock, fire and/or serious injury.

Save all warnings and instructions for future reference.

The term "power tool" in the warnings refers to your mains-operated (corded) power tool or battery-operated (cordless) power tool.

Cordless screwdriver safety warnings

1. **Hold the power tool by insulated gripping surfaces, when performing an operation where the fastener may contact hidden wiring.** Fasteners contacting a "live" wire may make exposed metal parts of the power tool "live" and could give the operator an electric shock.
2. **Always be sure you have a firm footing. Be sure no one is below when using the tool in high locations.**
3. **Hold the tool firmly.**
4. **Keep hands away from rotating parts.**
5. **Do not touch the bit or the workpiece immediately after operation; they may be extremely hot and could burn your skin.**
6. **Always secure workpiece in a vise or similar hold-down device.**

SAVE THESE INSTRUCTIONS.

⚠WARNING: DO NOT let comfort or familiarity with product (gained from repeated use) replace strict adherence to safety rules for the subject product.

MISUSE or failure to follow the safety rules stated in this instruction manual may cause serious personal injury.

Important safety instructions for battery cartridge

1. **Before using battery cartridge, read all instructions and cautionary markings on (1) battery charger, (2) battery, and (3) product using battery.**
2. **Do not disassemble battery cartridge.**
3. **If operating time has become excessively shorter, stop operating immediately. It may result in a risk of overheating, possible burns and even an explosion.**
4. **If electrolyte gets into your eyes, rinse them out with clear water and seek medical attention right away. It may result in loss of your eyesight.**
5. **Do not short the battery cartridge:**
 - (1) **Do not touch the terminals with any conductive material.**
 - (2) **Avoid storing battery cartridge in a container with other metal objects such as nails, coins, etc.**
 - (3) **Do not expose battery cartridge to water or rain.**

A battery short can cause a large current flow, overheating, possible burns and even a breakdown.

6. **Do not store the tool and battery cartridge in locations where the temperature may reach or exceed 50 °C (122 °F).**
7. **Do not incinerate the battery cartridge even if it is severely damaged or is completely worn out. The battery cartridge can explode in a fire.**
8. **Be careful not to drop or strike battery.**
9. **Do not use a damaged battery.**
10. **The contained lithium-ion batteries are subject to the Dangerous Goods Legislation requirements.**

For commercial transports e.g. by third parties, forwarding agents, special requirement on packaging and labeling must be observed.
For preparation of the item being shipped, consulting an expert for hazardous material is required. Please also observe possibly more detailed national regulations.
Tape or mask off open contacts and pack up the battery in such a manner that it cannot move around in the packaging.
11. **Follow your local regulations relating to disposal of battery.**
12. **Use the batteries only with the products specified by Makita.** Installing the batteries to non-compliant products may result in a fire, excessive heat, explosion, or leak of electrolyte.

SAVE THESE INSTRUCTIONS.

⚠CAUTION: Only use genuine Makita batteries. Use of non-genuine Makita batteries, or batteries that have been altered, may result in the battery bursting causing fires, personal injury and damage. It will also void the Makita warranty for the Makita tool and charger.

Tips for maintaining maximum battery life

1. **Charge the battery cartridge before completely discharged. Always stop tool operation and charge the battery cartridge when you notice less tool power.**
2. **Never recharge a fully charged battery cartridge. Overcharging shortens the battery service life.**
3. **Charge the battery cartridge with room temperature at 10 °C - 40 °C (50 °F - 104 °F). Let a hot battery cartridge cool down before charging it.**
4. **Charge the battery cartridge if you do not use it for a long period (more than six months).**

FUNCTIONAL DESCRIPTION

⚠ CAUTION:

- Always be sure that the tool is switched off and the battery cartridge is removed before adjusting or checking function on the tool.

Installing or removing battery cartridge

► Fig.1: 1. Red indicator 2. Button 3. Battery cartridge

⚠ CAUTION:

- Always switch off the tool before installing or removing of the battery cartridge.
- **Hold the tool and the battery cartridge firmly when installing or removing battery cartridge.** Failure to hold the tool and the battery cartridge firmly may cause them to slip off your hands and result in damage to the tool and battery cartridge and a personal injury.

To remove the battery cartridge, slide it from the tool while sliding the button on the front of the cartridge. To install the battery cartridge, align the tongue on the battery cartridge with the groove in the housing and slip it into place. Insert it all the way until it locks in place with a little click. If you can see the red indicator on the upper side of the button, it is not locked completely.

⚠ CAUTION:

- Always install the battery cartridge fully until the red indicator cannot be seen. If not, it may accidentally fall out of the tool, causing injury to you or someone around you.
- Do not install the battery cartridge forcibly. If the cartridge does not slide in easily, it is not being inserted correctly.

Switch action

⚠ CAUTION:

- Before inserting the battery cartridge into the tool, always check to see that the switch trigger actuates properly and returns to the "OFF" position when released.
- Switch can be locked in "ON" position for ease of operator comfort during extended use. Apply caution when locking tool in "ON" position and maintain firm grasp on tool.

► Fig.2: 1. Switch trigger 2. Lock button

To start the tool, simply pull the switch trigger. Tool speed is increased by increasing pressure on the switch trigger. Release the switch trigger to stop. For continuous operation, pull the switch trigger, push in the lock button and then release the trigger. To stop the tool from the locked position, pull the switch trigger fully, and then release it.

NOTE:

- Even with the switch on and motor running, the bit does not rotate. Push the tool forward to engage the clutch.
- The tool automatically stops if the motor keeps rotating for about 6 minutes.

Push drive mode

► Fig.3: 1. Button 2. Mode indicator

This tool has push drive mode. In this mode, the tool cuts off power to the motor to save the battery power at idle.

To select push drive mode, pull the trigger slightly, then release it and quickly press the button. The mode indicator will then light up.

Once push drive is activated, pull the switch trigger and then push the lock button. Apply pressure to the bit and the motor will start rotating. Further pressure engages the clutch and the bit will start rotating. In push drive mode, the motor and the driver bit will only rotate by applying pressure.

NOTE:

- If the tool does not run for about 8 hours in push drive mode with the trigger locked on, tool is shutdown. In such a case, release and pull the trigger again for restarting.

Lighting up the lamp

► Fig.4: 1. Lamp 2. Button

To turn on the lamp, slightly pull the switch trigger, release it and then press the button for a few seconds. The lamp turns on. The lamp goes out approximately 10 seconds after releasing the switch trigger. To turn on the lamp again, slightly pull the switch trigger again. To keep turning off the light, slightly pull the switch trigger and release it. Then press the button a few seconds.

In push drive mode with the switch trigger locked, the lamp goes out approximately one minute after the motor stops.

NOTE:

- While pulling the switch trigger, the lamp mode cannot be changed.
- For approximately 10 seconds after releasing the switch trigger, the lamp mode can be changed.
- Use a dry cloth to wipe the dirt off the lens of lamp. Be careful not to scratch the lens of lamp, or it may lower the illumination.

Indicating remaining battery capacity

Country specific

► Fig.5: 1. Battery indicator

When you pull the switch trigger, the battery indicator shows the remaining battery capacity.

The remaining battery capacity is shown as the following table.

Battery indicator status	Remaining battery capacity
 ■:On □:Off ◐:Blinking	
	50% - 100%
	20% - 50%
	0% - 20%
	Charge the battery

NOTE:

- Approximately one minute after the motor stops, the indicators go off to save the battery power. To check the remaining battery capacity, slightly pull the switch trigger.

Tool / battery protection system

The tool is equipped with a tool/battery protection system. This system automatically cuts off power to the motor to extend tool and battery life.

The tool will automatically stop during operation if the tool or battery are placed under one of the following conditions. In some conditions, the indicator lights up.

Overload protection

When the tool is operated in a manner that causes it to draw an abnormally high current, the tool automatically stops without any indications. In this situation, turn the tool off and stop the application that caused the tool to become overloaded. Then turn the tool on to restart.

Overheat protection for tool

When the tool is overheated, the tool stops automatically and the battery indicator shows following state. In this situation, let the tool cool before turning the tool on again.

Battery indicator	■:On	□:Off	◐:Blinking
	Tool is overheated		

Indicating the remaining battery capacity

Only for battery cartridges with the indicator

► **Fig.6:** 1. Indicator lamps 2. Check button

Press the check button on the battery cartridge to indicate the remaining battery capacity. The indicator lamps light up for a few seconds.

Indicator lamps			Remaining capacity
Lighted	Off	Blinking	
			75% to 100%
			50% to 75%
			25% to 50%
			0% to 25%
			Charge the battery.
			The battery may have malfunctioned.

NOTE: Depending on the conditions of use and the ambient temperature, the indication may differ slightly from the actual capacity.

Reversing switch action

⚠ CAUTION:

- Always check the direction of rotation before operation.
- Use the reversing switch only after the tool comes to a complete stop. Changing the direction of rotation before the tool stops may damage the tool.

► **Fig.7:** 1. Reversing switch lever

This tool has a reversing switch to change the direction of rotation. Move the reversing switch lever to the position (A side) for clockwise rotation or the position (B side) for counterclockwise rotation. When the reversing switch lever is in the neutral position, the switch trigger cannot be pulled.

⚠ CAUTION: When not operating the tool, always set the reversing switch lever to the neutral position.

Depth adjustment

► **Fig.8:** 1. Locator

The depth can be adjusted by turning the locator. Turn it in "B" direction for less depth and in "A" direction for more depth. One full turn of the locator equals 2 mm change in depth.

► **Fig.9: 1. Locator**

Adjust the locator so that the distance between the tip of the locator and the screw head is approximately 3 mm as shown in the figures. Drive a trial screw into your material or a piece of duplicate material. If the depth is still not suitable for the screw, continue adjusting until you obtain the proper depth setting.

Hook

⚠ CAUTION:

- Always remove the battery when hanging the tool with the hook.
- Never hook the tool at high location or on potentially unstable surface.

► **Fig.10: 1. Hook**

The hook is convenient for temporarily hanging the tool.

ASSEMBLY

⚠ CAUTION:

- Always be sure that the tool is switched off and the battery cartridge is removed before carrying out any work on the tool.

Installing or removing the bit

► **Fig.11: 1. Locator**

To remove the bit, pull the locator. Then grasp the bit with a pair of pliers and pull the bit out of the magnetic bit holder. Sometimes, it helps to wiggle the bit with the pliers as you pull.

► **Fig.12: 1. Locator 2. Bit 3. Magnetic bit holder**

To install the bit, push it firmly into the magnetic bit holder. Then install the locator by pushing it firmly back.

Hook

► **Fig.13: 1. Groove 2. Hook 3. Screw**

The hook is convenient for temporarily hanging the tool. This can be installed on either side of the tool.

To install the hook, insert it into a groove in the tool housing on either side and then secure it with a screw. To remove, loosen the screw and then take it out.

OPERATION

Screwdriving operation

► **Fig.14**

Fit the screw on the point of the bit and place the point of the screw on the surface of the workpiece to be fastened. Apply pressure to the tool and start it. Withdraw the tool as soon as the clutch cuts in. Then release the switch trigger.

⚠ CAUTION:

- When fitting the screw onto the point of the bit, be careful not to push in on the screw. If the screw is pushed in, the clutch will engage and the screw will rotate suddenly. This could damage a workpiece or cause an injury.
- Make sure that the bit is inserted straight in the screw head, or the screw and/or bit may be damaged.

MAINTENANCE

⚠ CAUTION:

- Always be sure that the tool is switched off and the battery cartridge is removed before attempting to perform inspection or maintenance.
- Never use gasoline, benzine, thinner, alcohol or the like. Discoloration, deformation or cracks may result.

To maintain product SAFETY and RELIABILITY, repairs, carbon brush inspection and replacement, any other maintenance or adjustment should be performed by Makita Authorized Service Centers, always using Makita replacement parts.

OPTIONAL ACCESSORIES

⚠ CAUTION:

- These accessories or attachments are recommended for use with your Makita tool specified in this manual. The use of any other accessories or attachments might present a risk of injury to persons. Only use accessory or attachment for its stated purpose.

If you need any assistance for more details regarding these accessories, ask your local Makita Service Center.

- Phillips Insert bits
- Magnetic bit holder
- Makita genuine battery and charger
- Plastic carrying case

NOTE: Some items in the list may be included in the tool package as standard accessories. They may differ from country to country.

ТЕХНІЧНІ ХАРАКТЕРИСТИКИ

Модель		DFS452
Діаметр свердління	Самосвердлячий гвинт	6 мм
	Гвинт для штукатурки	5 мм
Швидкість без навантаження		0 - 4000 хв ⁻¹
Загальна довжина	З коротким центратором	235 мм
	З довгим центратором	251 мм
Чиста вага		1,5 - 1,8 кг
Номінальна напруга		18 В пост. струму

- Оскільки наша програма наукових досліджень і розробок триває безперервно, наведені тут технічні характеристики можуть бути змінені без попередження.
- У різних країнах технічні характеристики можуть бути різними.
- Вага може відрізнятися залежно від допоміжного обладнання, наприклад касети з акумулятором. Найлегші та найважчі комплекти, відповідно до стандарту ЕРТА (Європейська асоціація виробників електроінструменту) від січня 01/2014 року, представлено в таблиці.

Застосовна касета з акумулятором і зарядний пристрій

Касета з акумулятором	BL1815N / BL1820 / BL1820B / BL1830 / BL1830B / BL1840 / BL1840B / BL1850 / BL1850B / BL1860B
Зарядний пристрій	DC18RC / DC18RD / DC18RE / DC18SD / DC18SE / DC18SF

- Деякі касети з акумулятором і зарядні пристрої, які вказано вище, можуть бути недоступними залежно від вашого регіону або місця перебування.

▲ПОПЕРЕДЖЕННЯ: Використовуйте лише касети з акумулятором і зарядні пристрої, перелічені вище. Використання будь-яких інших касет з акумулятором і зарядних пристроїв може призвести до травмування й/або пожежі.

Призначення

Інструмент призначено для укрупчування гвинтів у деревину, пластмасу та метал.

Шум

Рівень шуму за шкалою А у типовому виконанні, визначений відповідно до EN62841:

Рівень звукового тиску (L_{pA}): 72 дБ (А)

Похибка (К): 3 дБ (А)

Рівень шуму під час роботи може перевищувати 80 дБ (А).

Користуйтеся засобами захисту слуху

Вібрація

Загальна величина вібрації (сума трьох векторів) визначена згідно з EN62841:

Режим роботи: загвинчування без ударної дії.

Вібрація (a_h): 2,5 м/с² або менше

Похибка (К): 1,5 м/с²

ПРИМІТКА: Заявлене значення вібрації було виміряно у відповідності до стандартних методів тестування та може використовуватися для порівняння одного інструмента з іншим.

ПРИМІТКА: Заявлене значення вібрації може також використовуватися для попередньої оцінки впливу.

▲ПОПЕРЕДЖЕННЯ: Залежно від умов використання вібрація під час фактичної роботи інструмента може відрізнятися від заявленого значення вібрації.

▲ПОПЕРЕДЖЕННЯ: Забезпечте належні запобіжні заходи для захисту оператора, що відповідатимуть умовам використання інструмента (слід брати до уваги всі складові робочого циклу, такі як час, коли інструмент вимкнено та коли він починає працювати на холостому ході під час запуску).

Декларація про відповідність стандартам ЄС

Тільки для країн Європи

Декларацію про відповідність стандартам ЄС наведено в Додатку А до цієї інструкції з експлуатації.

Загальні застереження щодо техніки безпеки при роботі з електроінструментами

▲ ПОПЕРЕДЖЕННЯ: Уважно ознайомтеся з усіма попередженнями про дотримання правил техніки безпеки, інструкціями, ілюстраціями та технічними характеристиками, що стосуються цього електроінструмента. Невиконання будь-яких інструкцій, перелічених нижче, може призвести до ураження електричним струмом, пожежі та/або тяжких травм.

Збережіть усі інструкції з техніки безпеки та експлуатації на майбутнє.

Термін «електроінструмент», зазначений у інструкції з техніки безпеки, стосується електроінструмента, який функціонує від електромережі (електроінструмент з кабелем живлення), або електроінструмента з живленням від батареї (безпроводний електроінструмент).

Попередження про небезпеку під час роботи з бездротовим шурупвертом

1. Тримайте електроприлад за ізольовані поверхні держака під час виконання дії, за якої кріпильний виріб може зачепити сховану проводку. Торкання кріпильною деталлю дроту під напругою може призвести до передавання напруги до оголених металевих частин інструмента та до ураження оператора електричним струмом.
2. Обов'язково забезпечте надійну опору. При виконанні робіт з інструментом на висоті переконайтеся, що внизу нікого немає.
3. Тримайте інструмент міцно.
4. Не наближайте руки до деталей, що обертаються.
5. Не торкайтеся свердла або оброблюваної деталі одразу після різання; вони можуть бути дуже гарячими, і це може призвести до опіку шкіри.
6. Оброблювану деталь обов'язково необхідно затискати в лещатах або подібному пристрої фіксації.

ЗБЕРІГАЙТЕ ЦІ ВКАЗІВКИ.

▲ ПОПЕРЕДЖЕННЯ: НІКОЛИ НЕ втрачайте пильності та не розслабляйтеся під час користування виробом (що можливо при частому користуванні); обов'язково строго дотримуйтеся відповідних правил безпеки.

НЕНАЛЕЖНЕ ВИКОРИСТАННЯ або недотримання правил техніки безпеки, викладених у цій інструкції з експлуатації, може призвести до серйозних травм.

Важливі інструкції з безпеки для касети з акумулятором

1. Перед тим як користуватися касетою з акумулятором, слід прочитати всі інструкції та застережні знаки щодо (1) зарядного пристрою акумулятора, (2) акумулятора та (3) виробів, що працюють від акумулятора.
2. Не слід розбирати касету з акумулятором.
3. Якщо період роботи дуже покортшав, слід негайно припинити користування. Це може призвести до виникнення ризику перегріву, опіку та навіть вибуху.
4. У разі потрапляння електроліту в очі слід промити їх чистою водою та негайно звернутися до лікаря. Це може призвести до втрати зору.
5. Не закоротіть касету з акумулятором.
 - (1) Не слід торкатися клем будь-яким струмопровідним матеріалом.
 - (2) Не слід зберігати касету з акумулятором у смності з іншими металевими предметами, такими як цвяхи, монети тощо.
 - (3) Не залишайте касету з акумулятором під дощем, запобігайте контакту з водою.

Коротке замикання може призвести до появи значного струму, перегріву, можливих опіків та навіть виходу з ладу.

6. Не слід зберігати інструмент та касету з акумулятором в місцях, де температура може сягнути чи перевищити 50°C (122°F).
7. Не слід спалювати касету з акумулятором, навіть якщо вона була неодноразово пошкоджена або повністю спрацьована. Касета з акумулятором може вибухнути у вогні.
8. Не слід кидати або ударяти акумулятор.
9. Не слід використовувати пошкоджений акумулятор.
10. Літій-іонні акумулятори, що містяться в інструменті, мають відповідати вимогам законів про небезпечні товари. Під час транспортування за допомогою комерційних перевезень, наприклад із залученням третьої сторони та експедиторів, необхідно дотримуватись особливих вимог, вказаних на пакуванні й у маркуванні. Під час підготовки позиції до відправлення необхідно проконсультуватись зі спеціалістом з небезпечних матеріалів. Крім того, слід виконувати більш докладні національні настанови, якщо такі є. Заклейте відкриті контакти стрічкою або заховайте їх і запакуйте акумулятор таким чином, щоб він не міг рухатися в пакуванні.

11. Дотримуйтеся норм місцевого законодавства щодо утилізації акумуляторів.

12. Використовуйте акумулятори лише з виробами, указаними компанією Makita. Установлення акумуляторів у невідповідні вироби може призвести до пожежі, надмірного нагрівання, вибуху чи витoku електроліту.

ЗБЕРІГАЙТЕ ЦІ ВКАЗІВКИ.

⚠ОБЕРЕЖНО: Використовуйте тільки акумулятори Makita. Використання акумуляторів, інших ніж оригінальні акумулятори Makita, або акумуляторів, конструкцію яких було змінено, може призвести до вибуху акумулятора і спричинити пожежу, травму або пошкодження. У зв'язку з цим також буде анульовано гарантію Makita на інструмент Makita і на зарядний пристрій.

Поради з забезпечення максимального строку експлуатації акумулятора

1. Касету з акумулятором слід заряджати до того, як він розрядиться повністю. Завжди слід зупинити роботу інструмента та зарядити акумулятор, якщо ви помітили зменшення потужності інструмента.
2. Ніколи не слід заряджати повторно повністю заряджену касету з акумулятором. Перезарядження скорочує строк експлуатації акумулятора.
3. Заряджайте касету з акумулятором при кімнатній температурі 10°C—40°C (50°F—104°F). Перед тим як заряджати касету з акумулятором, слід зачекати, доки вона охолоне.
4. Якщо касета з акумулятором не використовувалася тривалий час (понад шість місяців), її слід зарядити.

ІНСТРУКЦІЯ З ВИКОРИСТАННЯ

⚠ОБЕРЕЖНО:

- Завжди перевіряйте, щоб прилад був вимкнений, а касета з акумулятором була знята, перед регулюванням або перевіркою функціонування інструмента.

Встановлення та зняття касети з акумулятором

► **Рис.1:** 1. Червоний індикатор 2. Кнопка 3. Касета з акумулятором

⚠ОБЕРЕЖНО:

- Завжди вимикайте інструмент перед встановленням або зніманням касети з акумулятором.
- Під час встановлення або зняття касети з акумулятором надійно утримуйте інструмент і касету з акумулятором. Інакше інструмент або касета з акумулятором можуть вислизнути з рук, що може призвести до травм або пошкодження інструмента й касети з акумулятором.

Щоб зняти касету з акумулятором, слід витягнути її з інструмента, натиснувши на кнопку в передній частині касети.

Щоб установити касету з акумулятором, слід сумістити шпонку касети з акумулятором із пазом у корпусі та вставити касету на місце. Уставляйте її, доки не почуєте клацання. Якщо на верхній частині кнопки видно червоний індикатор, це означає, що вона заблокована не повністю.

⚠ОБЕРЕЖНО:

- Завжди уставляйте касету повністю, аж поки червоний індикатор стане невидимим. Якщо цього не зробити, касета може випадково випасти з інструмента та завдати травми вам або людям, що знаходяться поруч.
- Не встановлюйте касету з акумулятором із зусиллям. Якщо касета не вставляється легко, то це означає, що Ви її невірно вставляєте.

Дія вимикача

⚠ОБЕРЕЖНО:

- Перед тим, як вставляти касету з акумулятором в інструмент, слід перевірити належну роботу курка вимикача, тобто щоб він повертався у положення "ВИМК.", коли його відпускають.
- Перемикач може бути заблокований в увімкненому положенні для зручності оператора протягом тривалого використання. Блокуючи інструмент в увімкненому положенні слід бути обережним і міцно тримати інструмент.

► **Рис.2:** 1. Курковий вмикач 2. Фіксатор

Для того щоб запустити інструмент, слід просто натиснути на курок вмикача. Швидкість обертання інструмента збільшується шляхом збільшення тиску на курок вмикача. Для того щоб зупинити роботу, курок вмикача слід відпустити.

Для безперервної роботи слід натиснути на курок вмикача, натиснути кнопку блокування, а потім відпустити курок вмикача.

Для того щоб зупинити інструмент із заблокованого положення, слід повністю натиснути на курок вмикача, а потім відпустити його.

ПРИМІТКА:

- Навіть при увімкненому вмикачі і працюючому двигуні наконечник не обертається. Штовхніть інструмент уперед, щоб задіяти зчеплення.
- Інструмент автоматично зупиняється, якщо двигун продовжує обертатися приблизно 6 хвилин.

Режим натискання

► **Рис.3:** 1. Кнопка 2. Індикатор режиму

В інструменті передбачений режим натискання. У цьому режимі інструмент знижує подачу живлення на двигун, щоб зекономити заряд акумулятора на холостому ході.

Для того щоб обрати режим натискання, трохи натисніть на курок, потім відпустіть його і швидко натисніть на кнопку. Після цього загоряється індикатор режиму.

Як тільки-но режим натискання буде активований, натисніть на курок вмикача, після чого натисніть кнопку блокування. Піддайте наконечник тиску, і двигун почне обертатися. Подальше піддавання тиску призведе до спрацювання зчеплення, і наконечник почне обертатися. У режимі натискання двигун і наконечник шуроповерта обертаються лише при піддаванні тиску.

ПРИМІТКА:

- Якщо інструмент не працює протягом приблизно 8 годин у режимі натискання із заблокованим курком, інструмент вимикається. У такому випадку для перезапуску інструмента відпустіть і знову натисніть на курок.

Увімкнення підсвічування

► **Рис.4:** 1. Ліхтар 2. Кнопка

Для того щоб увімкнути підсвічування, трохи натисніть на курок вмикача, відпустіть його, після чого натисніть кнопку на декілька секунд. Підсвічування увімкнеться. Підсвічування згасне приблизно через 10 секунд після того, як курок вмикача буде відпущений. Для того щоб знову увімкнути підсвічування, ще раз трохи натисніть на курок вмикача.

Щоб вимкнути підсвічування, трохи натисніть на курок вмикача і відпустіть його. Після цього натисніть кнопку на декілька секунд.

У режимі натискання із заблокованим курком вмикача підсвічування гасне приблизно через одну хвилину після зупинення двигуна.

ПРИМІТКА:

- Під час натискання на курок вмикача режим підсвічування змінити не можна.
- Режим підсвічування можна змінити приблизно протягом 10 секунд після відпускання курка вмикача.
- Для видалення бруду з лінзи підсвітки користуйтеся сухою тканиною. Будьте обережні, щоб не подряпати лінзу підсвітки, тому що можна погіршити освітлювання.






Відображення залишкового заряду акумулятора

Залежно від країни

► **Рис.5:** 1. Індикатор акумулятора

Під час натискання на курок вмикача індикатор акумулятора відображає залишковий заряд акумулятора.

Залишковий заряд акумулятора відображається, як показано в наступній таблиці.

Стан індикатора акумулятора	Залишок заряду батареї
	
	50 % - 100 %
	20 % - 50 %
	0 % - 20 %
	Зарядіть акумулятор

ПРИМІТКА:

- Приблизно через одну хвилину після зупинення двигуна індикатори вимикаються для збереження заряду акумулятора. Для того щоб перевірити залишковий заряд акумулятора, слід трохи натиснути на курок вмикача.

Система захисту інструмента/акумулятора

Інструмент оснащено системою захисту інструмента/акумулятора. Ця система автоматично вимикає живлення двигуна з метою збільшення терміну служби інструмента та акумулятора.

Інструмент автоматично зупиняється під час роботи, якщо він або акумулятор перебувають у зазначених нижче умовах. Під час перебування в певних умовах горить індикатор.

Захист від перевантаження

Якщо інструмент використовується в умовах надмірного споживання струму, він автоматично вимикається без активування будь-яких індикаторів. У такому випадку відключіть інструмент та зупиніть роботу, під час виконання якої інструмент зазнав перевантаження. Щоб перезапустити інструмент, увімкніть його знову.

Захист інструмента від перегріву

Якщо інструмент перегрівся, він автоматично зупиняється і індикатор акумулятора вказує на нижченаведений стан. У такому разі дозвольте інструменту охолонути, перш ніж знову його увімкнути.

Індикатор акумулятора	: ВМК.	: ВИМК.	: Мигає
	Інструмент перегрівся		

Відображення залишкового заряду акумулятора

Тільки для касет з акумулятором, які мають індикатори

► **Рис.6:** 1. Індикаторні лампи 2. Кнопка перевірки
Натисніть кнопку перевірки на касеті з акумулятором для відображення залишкового ресурсу акумулятора. Індикаторні лампи загоряться на кілька секунд.

Індикаторні лампи			Залишковий ресурс
Горить	Вимк.	Блимає	
			від 75 до 100%
			від 50 до 75%
			від 25 до 50%
			від 0 до 25%
			Зарядіть акумулятор.
			Можливо, акумулятор вийшов з ладу.

ПРИМІТКА: Залежно від умов використання та температури оточуючого середовища показання можуть незначним чином відрізнятися від дійсного ресурсу.

Дія вимикача зворотного ходу

⚠ОБЕРЕЖНО:

- Перед початком роботи слід завжди перевіряти напрямок обертання.
- Перемикач зворотного ходу можна використовувати тільки після повної зупинки інструмента. Зміна напрямку обертання до повної зупинки інструмента може його пошкодити.

► **Рис.7:** 1. Важіль перемикача реверсу

Інструмент обладнаний перемикачем зворотного ходу для зміни напрямку обертання. Для обертання по годинниковій стрілці перемикач зворотного ходу слід пересунути в положення (сторона "А"), проти годинниковій стрілці - в положення (сторона "В"). Коли важіль-перемикач поставлений в нейтральне положення, курок не може бути натиснутий.

⚠ОБЕРЕЖНО:

Коли інструмент не використовується, важіль-перемикач повинен знаходитись в нейтральному положенні.

Регулювання глибини

► **Рис.8:** 1. Направляюча

Глибину можна регулювати, повертаючи центратор. Повертайте його у напрямку "В" для зменшення глибини і у напрямку "А" – для її збільшення. Один повний оберт дорівнює зміні глибини на 2 мм.

► **Рис.9:** 1. Направляюча

Відрегулюйте центратор так, щоб відстань між кінчиком центратора та голівкою гвинта була приблизно 3 мм, як показано на малюнках. Вкрутіть пробний гвинт у матеріал, з яким Ви працюєте, або у подібний матеріал. Якщо глибина все ще не підходить для гвинта, продовжуйте регулювання, доки не отримаєте відповідне значення глибини.

Скоба

⚠ОБЕРЕЖНО:

- Підвішуючи інструмент за скобу, завжди знімайте акумулятор.
- Ніколи не підвішуйте інструмент високо та не залишайте його на потенційно нестійкій поверхні.

► **Рис.10:** 1. Скоба

Гак є зручним для тимчасового підвішування інструмента.

КОМПЛЕКТУВАННЯ

⚠ОБЕРЕЖНО:

- Завжди перевіряйте, щоб прилад був вимкнений, а касета з акумулятором була знята, перед тим, як проводити будь-які роботи на інструменті.

Встановлення та зняття наконечників

► Рис.11: 1. Направляюча

Для того, щоб зняти наконечник, потягніть за центратор. Потім візьміться за наконечник плоскогубцями та витягніть його з магнітного тримача. Інколи допомагає розхитування наконечника плоскогубцями під час його витягування.

► Рис.12: 1. Направляюча 2. Свердло 3. Магнітний тримач наконечника

Для встановлення наконечника слід міцно вставити його в магнітний тримач. Потім встановіть центратор, міцно втиснувши його на місце.

Скоба

► Рис.13: 1. Паз 2. Скоба 3. Гвинт

Гак є зручним для тимчасового підвішування інструмента. Його можна встановлювати на будь-якій стороні інструмента.

Для того, щоб встановити гак, його слід вставити в паз на корпусі інструмента з будь-якої сторони та закріпити його за допомогою гвинта. Для того, щоб зняти гак, слід послабити гвинт та витягти його.

ЗАСТОСУВАННЯ

Операції з вгвинчування

► Рис.14

Встановіть гвинт на наконечник, а потім встановіть кінчик гвинта на поверхню деталі, яка кріпиться. Натисніть на інструмент та запустіть його. Інструмент слід забирати одразу після спрацювання зчеплення. Потім слід відпустити курок вмикача.

⚠ОБЕРЕЖНО:

- Встановлюючи гвинт на наконечник слід бути обережним, щоб не натиснути на гвинт. Якщо натиснути на гвинт, то може спрацювати зчеплення, і гвинт раптово почне обертатись. Це може пошкодити деталь, або призвести до поранень.
- Перевірте, щоб викрутка була рівно вставлена в голівку гвинта, інакше гвинт та/або викрутка можуть пошкодитись.

ТЕХНІЧНЕ ОБСЛУГОВУВАННЯ

⚠ОБЕРЕЖНО:

- Завжди перевіряйте, щоб прилад був вимкнений, а касета з акумулятором була знята, перед проведенням перевірки або обслуговування.
- Ніколи не використовуйте газолін, бензин, розріджувач, спирт та подібні речовини. Їх використання може призвести до зміни кольору, деформації та появи тріщин.

Для того, щоб підтримувати БЕЗПЕКУ та НАДІЙНІСТЬ, ремонт, огляд та заміну вугільних щіток, будь-яке інше технічне обслуговування або регулювання мають виконувати уповноважені центри обслуговування "Макіта", де використовуються лише стандартні запчастини "Макіта".

ДОДАТКОВЕ ПРИЛАДДЯ

⚠ОБЕРЕЖНО:

- Це оснащення або приладдя рекомендовано для використання з інструментами "Макіта", що описані в інструкції з експлуатації. Використання якогось іншого оснащення або приладдя може спричинити травмування. Оснащення або приладдя слід використовувати лише за призначенням.

У разі необхідності, отримати допомогу в більш детальному ознайомленні з оснащенням звертайтеся до місцевого Сервісного центру "Макіта".

- Вставні хрестоподібні наконечники
- Магнітний тримач наконечника
- Оригінальний акумулятор та заряджаючий пристрій Makita
- Пластмасова валіза для транспортування

ПРИМІТКА: Деякі елементи списку можуть входити до комплекту інструмента як стандартне приладдя. Вони можуть відрізнятися залежно від країни.

SPECYFIKACJE

Model		DFS452
Wydajność	Śruba samowkręcająca	6 mm
	Wkręt do montażu płyt kartonowo-gipsowych	5 mm
Prędkość bez obciążenia		0 - 4 000 min ⁻¹
Długość całkowita	Z krótkim lokatorem	235 mm
	Z długim lokatorem	251 mm
Ciężar netto		1,5 - 1,8 kg
Napięcie znamionowe		Prąd stały 18 V

- W związku ze stale prowadzonym przez naszą firmę programem badawczo-rozwojowym niniejsze dane mogą ulec zmianom bez wcześniejszego powiadomienia.
- Dane techniczne mogą różnić się w zależności od kraju.
- Masa może być różna w zależności od osprzętu, w tym akumulatora. W tabeli przedstawiona jest najlżejsza i najcięższa konfiguracja, zgodnie z procedurą EPTA 01/2014.

Kompatybilne akumulatory i ładowarki

Akumulator	BL1815N / BL1820 / BL1820B / BL1830 / BL1830B / BL1840 / BL1840B / BL1850 / BL1850B / BL1860B
Ładowarka	DC18RC / DC18RD / DC18RE / DC18SD / DC18SE / DC18SF

- Pewne z wymienionych powyżej akumulatorów i ładowarek mogą być niedostępne w regionie zamieszkania użytkownika.

⚠ OSTRZEŻENIE: Należy używać wyłącznie akumulatorów i ładowarek wymienionych powyżej. Używanie innych akumulatorów i ładowarek może stwarzać ryzyko wystąpienia obrażeń ciała lub pożaru.

Przeznaczenie

Narzędzie przeznaczone jest do osadzania wkrętów w drewnie, metalu i tworzywach sztucznych.

Poziom hałasu i drgań

Typowy równoważny poziom dźwięku A określony w oparciu o EN62841:

Poziom ciśnienia akustycznego (L_{pA}): 72 dB (A)

Niepewność (K): 3 dB (A)

Poziom hałasu podczas pracy może przekraczać 80 dB (A).

Należy stosować ochroniacze na uszy

Drgania

Całkowita wartość poziomu drgań (suma wektorów w 3 osiach) określona zgodnie z normą EN62841:

Tryb pracy: wkręcanie bez udu

Emisja drgań (a_w): 2,5 m/s² lub mniej

Niepewność (K): 1,5 m/s²

WSKAZÓWKA: Deklarowana wartość wytwarzanych drgań została zmierzona zgodnie ze standardową metodą testową i można ją wykorzystać do porównywania narzędzi.

WSKAZÓWKA: Deklarowaną wartość wytwarzanych drgań można także wykorzystać we wstępnej ocenie narażenia.

⚠ OSTRZEŻENIE: Drgania wytwarzane podczas rzeczywistego użytkowania elektronarzędzia mogą się różnić od wartości deklarowanej, w zależności od sposobu jego użytkowania.

⚠ OSTRZEŻENIE: W oparciu o szacowane narażenie w rzeczywistych warunkach użytkowania należy określić środki bezpieczeństwa w celu ochrony operatora (uwzględniając wszystkie elementy cyklu działania, tj. czas, kiedy narzędzie jest wyłączone i kiedy pracuje na biegu jałowym, a także czas, kiedy jest włączone).

Deklaracja zgodności WE

Dotyczy tylko krajów europejskich

Deklaracja zgodności WE jest dołączona jako załącznik A do niniejszej instrukcji obsługi.

Ogólne zasady bezpiecznej eksploatacji elektronarzędzi

⚠️ OSTRZEŻENIE: Należy zapoznać się z ostrzeżeniami dotyczącymi bezpieczeństwa, instrukcjami, ilustracjami i danymi technicznymi dołączonymi do tego elektronarzędzia. Niezastosowanie się do podanych poniżej instrukcji może prowadzić do porażenia prądem, pożaru i/lub poważnych obrażeń ciała.

Wszystkie ostrzeżenia i instrukcje należy zachować do wykorzystania w przyszłości.

Pojęcie „elektonarzędzie”, występujące w wymienionych tu ostrzeżeniach, odnosi się do elektronarzędzia zasilanego z sieci elektrycznej (z przewodem zasilającym) lub do elektronarzędzia akumulatorowego (bez przewodu zasilającego).

Ostrzeżenia dotyczące bezpieczeństwa dla wkrętarki bezprzewodowej

1. Trzymać elektronarzędzie za izolowane powierzchnie rękojeści podczas wykonywania prac, przy których element łączny może dotknąć niewidocznej instalacji elektrycznej. Zetknięcie elementów złącznych z przewodem elektrycznym znajdującym się pod napięciem spowoduje, że odsłonięte elementy metalowe narzędzia również znajdą się pod napięciem, grożąc porażeniem operatora prądem elektrycznym.
2. Podczas pracy należy zadbać o stabilne oparcie dla nóg.
W przypadku pracy na wysokości upewnić się, że na dole nie przebywają żadne osoby.
3. Narzędzie należy trzymać mocno i pewnie.
4. Trzymać ręce z dala od części obrotowych.
5. Nie dotykać wiertła ani części obrabianej od razu po zakończeniu danej operacji; mogą one być bardzo gorące i spowodować oparzenie skóry.
6. Element obrabiany należy zawsze mocować w imadle lub podobnym uchwycie.

ZACHOWAĆ NINIEJSZE INSTRUKCJE.

⚠️ OSTRZEŻENIE: NIE WOLNO pozwolić, aby wygoda lub rutyna (nabyta w wyniku wielokrotnego używania urządzenia) zastąpiły ściśle przestrzeganie zasad bezpieczeństwa obsługi.

NIEWŁAŚCIWE UŻYTKOWANIE narzędzia lub niestosowanie się do zasad bezpieczeństwa podanych w niniejszej instrukcji obsługi może prowadzić do poważnych obrażeń ciała.

Ważne zasady bezpieczeństwa dotyczące akumulatora

1. Przed użyciem akumulatora zapoznać się ze wszystkimi instrukcjami i znakami ostrzegawczymi na (1) ładowarce, (2) akumulatorze i (3) produkcie, w którym będzie używany akumulator.
2. Akumulatora nie wolno rozbiierać.
3. Jeśli czas działania uległ znacznemu skróceniu, należy natychmiast przerwać pracę. Może bowiem dojść do przegrzania, ewentualnych poparzeń, a nawet eksplozji.
4. W przypadku przedostania się elektrolitu do oczu, przemyć je czystą wodą i niezwłocznie uzyskać pomoc lekarską. Może on bowiem spowodować utratę wzroku.
5. Nie doprowadzać do zwarcia akumulatora:
 - (1) Nie dotykać styków materiałami przewodzącymi prąd.
 - (2) Unikać przechowywania akumulatora w pojemniku z metalowymi przedmiotami, takimi jak gwoździe, monety itp.
 - (3) Chronić akumulator przed deszczem lub wodą.Zwarcie prowadzi do przepływu prądu elektrycznego o dużym natężeniu i przegrzania akumulatora, co w konsekwencji może grozić poparzeniami a nawet awarią urządzenia.
6. Narzędzia i akumulatora nie wolno przechowywać w miejscach, w których temperatura osiąga bądź przekracza 50°C (122°F).
7. Akumulatorów nie wolno spalać, również tych poważnie uszkodzonych lub całkowicie zużytych. Akumulator może eksplodować w ogniu.
8. Chronić akumulator przed upadkiem i uderzeniami.
9. Nie wolno używać uszkodzonego akumulatora.
10. Stanowiące wyposażenie akumulatory litowo-jonowe podlegają przepisom dotyczącym produktów niebezpiecznych.
Na potrzeby transportu komercyjnego, np. świadczony przez firmy trzecie czy spedycyjne, należy przestrzegać specjalnych wymagań w zakresie pakowania i oznaczania etykietami. Przygotowanie produktu do wysyłki wymaga skonsultowania się ze specjalistą ds. materiałów niebezpiecznych. Należy także przestrzegać przepisów krajowych, które mogą być bardziej szczegółowe.
Zakleić taśmą lub zaślepić otwarte styki akumulatora oraz zabezpieczyć go, aby nie mógł się przesuwać w opakowaniu.
11. Postępować zgodnie z przepisami lokalnymi dotyczącymi usuwania akumulatorów.
12. Używać akumulatorów tylko z produktami określonymi przez firmę Makita. Zastosowanie akumulatorów w niezgodnych produktach może spowodować pożar, przegrzanie, wybuch lub wyciek elektrolitu.

ZACHOWAĆ NINIEJSZE INSTRUKCJE.

⚠ PRZESTROGA: Używać wyłącznie oryginalnych akumulatorów firmy Makita. Używanie nieoryginalnych akumulatorów firm innych niż Makita lub akumulatorów, które zostały zmodyfikowane, może spowodować wybuch akumulatora i pożar, obrażenia ciała oraz zniszczenie mienia. Stanowi to również naruszenie warunków gwarancji firmy Makita dotyczących narzędzia i ładowarki.

Wskazówki dotyczące zachowania maksymalnej trwałości akumulatora

1. Akumulator należy naładować zanim zostanie do końca rozładowany. Po zauważeniu spadku mocy narzędzia należy przerwać pracę i naładować akumulator.
2. Nie wolno ładować powtórnie w pełni naładowanego akumulatora. Przeladowanie akumulatora skraca jego trwałość.
3. Akumulator należy ładować w temperaturze pokojowej w przedziale 10–40°C (50–104°F). W przypadku gorącego akumulatora przed przystąpieniem do ładowania należy poczekać, aż ostygnie.
4. Akumulatory niklowo-wodorkowe należy naładować po okresie długiego nieużytkowania (dłuższego niż sześć miesięcy).

OPIS DZIAŁANIA

⚠ PRZESTROGA:

- Przed przystąpieniem do regulacji lub przeglądu narzędzia upewnić się, czy jest ono wyłączone i czy został wyjęty akumulator.

Wkładanie i wyjmowanie akumulatora

- Rys.1: 1. Czerwony wskaźnik 2. Przycisk 3. Akumulator

⚠ PRZESTROGA:

- Przed montażem lub demontażem akumulatora należy wyłączyć narzędzie.
- **Podczas wkładania lub wyjmowania akumulatora należy mocno trzymać narzędzie i akumulator.** W przeciwnym razie mogą one wyslizgnąć się z rąk, powodując uszkodzenie narzędzia lub akumulatora i obrażenia ciała.

Aby wyjąć akumulator, należy przesunąć przycisk znajdujący się w przedniej jego części i wysunąć akumulator.

Aby zamontować akumulator, wystarczy wyrównać występ na akumulatorze z rowkiem w obudowie i wsunąć go na swoje miejsce. Akumulator należy wsuwać do oporu, aż się zablokuje, co jest sygnalizowane delikatnym kliknięciem. Jeśli jest widoczny czerwony wskaźnik w górnej części przycisku, akumulator nie został całkowicie zablokowany.

⚠ PRZESTROGA:

- Należy go zamontować całkowicie, tak aby czerwony wskaźnik nie był widoczny. W przeciwnym razie może przypadkowo wypaść z urządzenia, raniąc operatora lub osoby postronne.
- Nie montować akumulatora na siłę. Jeśli akumulator nie daje się swobodnie wsunąć, prawdopodobnie został włożony nieprawidłowo.

Włączanie

⚠ PRZESTROGA:

- Przed włożeniem akumulatora do narzędzia zawsze sprawdź, czy język spustowy wyłącznika działa prawidłowo i po zwolnieniu powraca do położenia „OFF”.
- W celu ułatwienia obsługi i dla wygody operatora podczas długotrwałej pracy z użyciem narzędzia, wyłącznik można zablokować w pozycji „ON” (WŁĄCZONY). Podczas pracy z blokadą wyłącznika w pozycji „ON” (WŁĄCZONY) należy zachować ostrożność i pewnie trzymać narzędzie.

- Rys.2: 1. Spust przełącznika 2. Przycisk blokujący

Aby uruchomić narzędzie, należy pociągnąć język spustowy przełącznika. Prędkość narzędzia wzrasta wraz ze zwiększaniem nacisku na język spustowy przełącznika. Zwolnić język spustowy przełącznika, aby narzędzie zatrzymało się.

Aby wyłączyć tryb pracy ciąglej, należy pociągnąć język spustowy przełącznika, następnie nacisnąć przycisk blokady, a następnie zwolnić język spustowy.

Aby zatrzymać narzędzie pracujące w trybie blokady, należy pociągnąć do oporu język spustowy przełącznika, a następnie zwolnić go.

WSKAZÓWKA:

- Nawet w przypadku ustawienia przełącznika w położeniu włączonym i przy uruchomieniu silnika końcówka nie będzie się obracała. Popchnąć narzędzie w przód, aby załączyć sprzęgło.
- Narzędzie automatycznie zatrzyma się w przypadku pracy silnika przez około 6 minut.

Tryb uruchamiania napędu

► **Rys.3:** 1. Przycisk 2. Wskaźnik trybu

Narzędzie to posiada na wyposażeniu tryb uruchamiania napędu. W trybie tym narzędzie odcina zasilanie do silnika w celu zaoszczędzenia energii akumulatora na biegu jałowym.

Aby włączyć tryb uruchamiania napędu, pociągnąć delikatnie język spustowy, a następnie zwolnić go i szybko nacisnąć przycisk. Wskaźnik trybu zaświeci się.

Po włączeniu trybu uruchamiania napędu pociągnąć język spustowy przełącznika, a następnie nacisnąć przycisk blokady. Wyrzucić nacisk na końcówkę, co spowoduje wprawienie silnika w ruch obrotowy. Dalsze wywieranie nacisku spowoduje załączenie sprzęgła, a końcówka zacznie się obracać. W trybie uruchamiania napędu silnik i końcówka napędu będą wprawiane w ruch obrotowy wyłącznie po wywarceniu nacisku.

WSKAZÓWKA:

- Jeśli narzędzie nie zostanie uruchomione w ciągu około 8 godzin w trybie uruchamiania napędu z zablokowanym językiem spustowym, narzędzie wyłączy się. W takim przypadku należy zwolnić i jeszcze raz pociągnąć język spustowy w celu ponownego uruchomienia.

Włączanie oświetlenia

► **Rys.4:** 1. Lampka 2. Przycisk

W celu włączenia lampki należy lekko pociągnąć język spustowy przełącznika, zwolnić go, a następnie nacisnąć i przytrzymać przycisk przez kilka sekund. Lampka zostanie włączona. Lampka wyłączy się po około 10 sekundach od momentu zwolnienia języka spustowego przełącznika. Aby ponownie włączyć lampkę, należy jeszcze raz lekko pociągnąć język spustowy przełącznika.

Aby wyłączyć lampkę, należy lekko pociągnąć język spustowy przełącznika i zwolnić go. Następnie nacisnąć i przytrzymać przycisk przez kilka sekund.

W trybie uruchamiania napędu przy zablokowanym języku spustowym przełącznika lampka wyłącza się po około jednej minucie od zatrzymania się silnika.

WSKAZÓWKA:

- Podczas pociągania języka spustowego przełącznika tryb lampki nie może zostać zmieniony.
- Po około 10 sekundach od zwolnienia języka spustowego przełącznika tryb lampki może zostać zmieniony.
- Użyć suchej tkaniny aby zetrzeć zanieczyszczenia z osłony lampki. Uważać, aby nie zarysować osłony lampki, gdyż może to zmniejszyć natężenie oświetlenia.

Wskazuje poziom naładowania akumulatora

W zależności od kraju

► **Rys.5:** 1. Wskaźnik akumulatora

Po pociągnięciu języka spustowego przełącznika wskaźnik akumulatora wskaże poziom naładowania akumulatora.

Poziom naładowania akumulatora jest wyświetlany, jak pokazano w poniższej tabeli.

Stan wskaźnika akumulatora	Pozostała pojemność akumulatora
<input checked="" type="checkbox"/> : WŁ (ON) <input type="checkbox"/> : WYŁ (OFF) <input type="checkbox"/> : Pulsuje	
	50 % - 100 %
	20 % - 50 %
	0 % - 20 %
	Naładować akumulator

WSKAZÓWKA:

- Po upływie około jednej minuty od zatrzymania się silnika wskaźniki wyłączają się w celu zaoszczędzenia energii akumulatora. W celu sprawdzenia poziomu naładowania akumulatora należy lekko pociągnąć język spustowy przełącznika.

System ochrony narzędzia/akumulatora

Narzędzie jest wyposażone w system ochrony narzędzia/akumulatora. System ten automatycznie odcina dopływ prądu do silnika w celu wydłużenia żywotności narzędzia i akumulatora.

Narzędzie zostanie automatycznie zatrzymane podczas pracy w następujących sytuacjach związanych z narzędziem lub akumulatorem. Niektóre sytuacje zostaną wskazane poprzez zapalenie się odpowiedniego wskaźnika.

Zabezpieczenie przed przeciążeniem

W przypadku obsługi narzędzia w sposób powodujący wytwarzanie wysokiego prądu odbiegającego od normy narzędzie to zostanie automatycznie zatrzymane bez żadnego wskazania za pomocą wskaźników. W takiej sytuacji należy wyłączyć narzędzie i zaprzestać wykonywania czynności powodującej przeciążenie narzędzia. Następnie należy włączyć urządzenie w celu jego ponownego uruchomienia.

Zabezpieczenie przed przegrzaniem narzędzia

W przypadku przegrzania narzędzie zostanie automatycznie wyłączone, a wskaźnik akumulatora będzie wskazywał następujący stan. W takiej sytuacji należy odczekać, aż narzędzie ostygnie przed ponownym jego włączeniem.

Wskaźnik akumulatora	WŁ (ON)	WYŁ (OFF)	Pulsuje
	Narzędzie przegrzane		

Wskazanie stanu naładowania akumulatora

Tylko w przypadku akumulatorów ze wskaźnikiem

► **Rys.6:** 1. Lampki wskaźnika 2. Przycisk kontrolny
Nacisnąć przycisk kontrolny na akumulatorze w celu wyświetlenia stanu naładowania akumulatora. Lampki wskaźnika zaświecą się przez kilka sekund.

Lampki wskaźnika			Pozostała energia akumulatora
Świeci się	Wyłączony	Miga	
			75–100%
			50–75%
			25–50%
			0–25%
			Naładować akumulator.
			Akumulator może nie działać poprawnie.

WSKAZÓWKA: Zależnie od warunków użytkowania i temperatury otoczenia, wskazywany poziom może nieznacznie się różnić od rzeczywistego stanu naładowania akumulatora.

Włączanie obrotów wstecznych

▲ PRZESTROGA:

- Przed uruchomieniem narzędzia należy zawsze sprawdzić ustawienie kierunku obrotów.
- Kierunek obrotów można zmieniać tylko wówczas, gdy urządzenie całkowicie się zatrzyma. Zmiana kierunku obrotów przed zatrzymaniem się narzędzia grozi jego uszkodzeniem.

► **Rys.7:** 1. Dźwignia przełącznika obrotów wstecznych

Omawiane narzędzie jest wyposażone w przełącznik umożliwiający zmianę kierunku obrotów. Przesunięcie dźwigni przełącznika zmiany kierunku obrotów w położenie ← (w stronę A) powoduje zmianę kierunku obrotów na zgodne z ruchem wskazówek zegara, a w położenie → (w stronę B) - na przeciwnie. Gdy dźwignia przełącznika zmiany kierunku obrotów znajduje się w położeniu neutralnym, język spustowy przełącznika jest zablokowany.

▲ **PRZESTROGA:** Gdy narzędzie nie będzie używane, należy zawsze ustawić dźwignię przełącznika zmiany kierunku obrotów w położeniu neutralnym.

Ogranicznik głębokości

► **Rys.8:** 1. Element ustalający

Głębokość można regulować, obracając lokator. Aby ustawić mniejszą głębokość, obracaj w kierunku „B”, a dla większej głębokości w kierunku „A”. Jeden pełny obrót lokatora odpowiada zmianie głębokości o 2 mm.

► **Rys.9:** 1. Element ustalający

Wyreguluj lokator tak, aby odległość pomiędzy jego indeksem a łbem śruby wynosiła ok. 3 mm, jak pokazano na rysunkach. Wkręć śrubę próbną w materiał lub w jego zapasowy kawałek. Jeżeli głębokość nadal nie jest odpowiednia dla śruby, kontynuuj regulację do uzyskania właściwej głębokości.

Zaczepek

▲ PRZESTROGA:

- Należy zawsze wyjmować akumulator w przypadku zawieszenia narzędzia na zaczepie.
- Nie wolno wieszać narzędzia wysoko lub na potencjalnie niestabilnej powierzchni.

► **Rys.10:** 1. Hak

Zaczepek jest wygodny, aby na chwilę zawiesić narzędzie.

MONTAŻ

▲ PRZESTROGA:

- Przed przystąpieniem do jakichkolwiek czynności związanych z obsługą narzędzia należy koniecznie upewnić się, czy jest ono wyłączone i czy akumulator został wyjęty.

Montaż lub demontaż końcówki

► Rys.11: 1. Element ustalający

Pociągnij za lokator, aby usunąć końcówkę. Następnie chwyć końcówkę szczypcami i wyciągnij ją z uchwytu magnetycznego. Nieraz podczas wyciągania końcówki pomagają poruszanie jej szczypcami.

► Rys.12: 1. Element ustalający 2. Wiertło 3. Magnetyczny uchwyt na końcówki

Aby zainstalować końcówkę, wepchnij ją mocno w uchwyt magnetyczny. Następnie zamontuj lokator wciśkając go silnie na miejsce.

Zaczep

► Rys.13: 1. Bruzda 2. Hak 3. Wkręt

Zaczep jest wygodny, aby na chwilę zawiesić narzędzie. Można go zamontować z jednej lub z drugiej strony narzędzia. Aby zamontować zaczep, wsuń go w rowek w obudowie znajdującego się z obu stron, a następnie przykręć go wkrętem. Aby zdemontować zaczep, poluzuj wkręt i ściągnij zaczep.

DZIAŁANIE

Operacja wkręcania

► Rys.14

Ustaw wkręt na końcówce i umieść koniec wkrętu na powierzchni elementu, w który ma być wkręcony. Dociśnij narzędzie i rozpocznij pracę. Wycofaj narzędzie, gdy tylko sprzęgło zadziało. Następnie zwolnij język spustowy przełącznika.

▲PRZESTROGA:

- Podczas dopasowywania wkrętu do końcówki pamiętaj, aby jej nie docisnąć do wkrętu. Jeżeli tak się stanie, sprzęgło zadziało, a wkręt zacznie się nagle obracać. Mogłoby to uszkodzić obrabiany element lub spowodować obrażenia.
- Końcówka do wkręcania powinna być wprowadzona do łba wkrętu w linii prostej, w przeciwnym razie wkręt i/lub końcówka mogą ulec uszkodzeniu.

KONSERWACJA

▲PRZESTROGA:

- Przed przystąpieniem do przeglądu narzędzia lub jego konserwacji upewnić się, czy jest ono wyłączone i czy akumulator został wyjęty.
- Nie wolno używać benzyny, benzenu, rozpuszczalnika, alkoholu itp. Substancje takie mogą spowodować odbarwienia, odkształcenia lub pęknięcia.

Dla zachowania BEZPIECZEŃSTWA i NIEZAWODNOŚCI wyrobu, naprawy, wymiana szczotek węglowych oraz inne prace konserwacyjne i regulacyjne powinny być wykonywane przez Autoryzowane Centra Serwisowe Makita, wyłącznie przy użyciu części zamiennych Makita.

AKCESORIA OPCJONALNE

▲PRZESTROGA:

- Zaleca się stosowanie wymienionych akcesoriów i dodatków razem z elektronarzędziem Makita opisanym w niniejszej instrukcji. Stosowanie jakichkolwiek innych akcesoriów i dodatków może stanowić ryzyko uszkodzenia ciała. Stosować akcesoria i dodatki w celach wyłącznie zgodnych z ich przeznaczeniem.

W razie potrzeby, wszelkiej pomocy i szczegółowych informacji na temat niniejszych akcesoriów udziela Państwu lokalne Centra Serwisowe Makita.

- Końcówki krzyżowe
- Magnetyczny uchwyt na końcówki
- Oryginalny akumulator i ładowarka firmy Makita
- Walizka z tworzywa sztucznego

WSKAZÓWKA: Niektóre pozycje znajdujące się na liście mogą być dołączone do pakietu narzędziowego jako akcesoria standardowe. Mogą to być różne pozycje, w zależności od kraju.

SPECIFICAȚII

Model		DFS452
Capacități	Șurub autofiletant	6 mm
	Șurub pentru plăci aglomerate (Spax)	5 mm
Turație în gol		0 - 4.000 min ⁻¹
Lungime totală	Cu fixator scurt	235 mm
	Cu fixator lung	251 mm
Greutate netă		1,5 - 1,8 kg
Tensiune nominală		18 V cc.

- Datorită programului nostru continuu de cercetare și dezvoltare, specificațiile pot fi modificate fără o notificare prealabilă.
- Specificațiile pot varia în funcție de țară.
- Greutatea poate diferi în funcție de accesoriu(ii), inclusiv cartușul acumulatorului. În tabel se prezintă combinația cea mai ușoară și cea mai grea, conform Procedurii EPTA 01/2014.

Cartușul acumulatorului și încărcătorul aplicabile

Cartușul acumulatorului	BL1815N / BL1820 / BL1820B / BL1830 / BL1830B / BL1840 / BL1840B / BL1850 / BL1850B / BL1860B
Încărcător	DC18RC / DC18RD / DC18RE / DC18SD / DC18SE / DC18SF

- Este posibil ca unele cartușe ale acumulatorilor și încărcătoare menționate mai sus să nu fie disponibile în funcție de regiunea dvs. de reședință.

⚠️ AVERTIZARE: Utilizați numai cartușele de acumulator și încărcătoarele enumerate mai sus. Utilizarea oricăror altor cartușe de acumulator și încărcătoare poate duce la rănire și/sau incendiu.

Destinația de utilizare

Mașina este destinată înșurubării în lemn, metal și plastic.

Emisie de zgomot

Nivelul de zgomot normal ponderat A determinat în conformitate cu EN62841:

Nivel de presiune acustică (L_{pA}): 72 dB (A)

Marjă de eroare (K): 3 dB (A)

Nivelul de zgomot în timpul funcționării poate depăși 80 dB (A).

Purtați mijloace de protecție a auzului

Vibrații

Valoarea totală a vibrațiilor (suma vectorilor tri-axiali) determinată conform EN62841:

Mod de funcționare: înșurubare fără impact

Emisie de vibrații (a_h): 2,5 m/s² sau mai puțin

Marjă de eroare (K): 1,5 m/s²

NOTĂ: Nivelul de vibrații declarat a fost măsurat în conformitate cu metoda de test standard și poate fi utilizat pentru compararea unei unelte cu alta.

NOTĂ: Nivelul de vibrații declarat poate fi, de asemenea, utilizat într-o evaluare preliminară a expunerii.

⚠️ AVERTIZARE: Nivelul de vibrații în timpul utilizării reale a unelei electrice poate diferi de valoarea nivelului declarat, în funcție de modul în care uneltea este utilizată.

⚠️ AVERTIZARE: Asigurați-vă că identificați măsurile de siguranță pentru a proteja operatorul, acestea fiind bazate pe o estimare a expunerii în condiții reale de utilizare (luând în considerare toate părțile ciclului de operare, precum timpii în care uneltea a fost oprită, sau a funcționat în gol, pe lângă timpul de declanșare).

Declarație de conformitate CE

Nu mai pentru țările europene

Declarația de conformitate CE este inclusă ca Anexa A în acest manual de instrucțiuni.

Avertismente generale de siguranță pentru mașinile electrice

⚠️ AVERTIZARE: Citiți toate avertismentele privind siguranța, instrucțiunile, ilustrațiile și specificațiile furnizate cu această sculă electrică. Nerespectarea integrală a instrucțiunilor de mai jos poate cauza electrocutări, incendii și/sau vătămări corporale grave.

Păstrați toate avertismentele și instrucțiunile pentru consultări ulterioare.

Termenul „mașină electrică” din avertizări se referă la mașinile dumneavoastră electrice acționate de la rețea (prin cablu) sau cu acumulator (fără cablu).

Avertismente privind siguranța pentru mașina de înșurubat cu acumulator

1. **Țineți mașina electrică numai de suprafețele de prindere izolate atunci când efectuați o operațiune în care dispozitivul de fixare poate intra în contact cu fire ascuse.** Contactul organelor de asamblare cu un cablu aflat sub tensiune poate pune sub tensiune piesele metalice expuse ale mașinii electrice, conducând la electrocutarea operatorului.
2. **Păstrați-vă echilibrul.** Asigurați-vă că nu se află nicio persoană dedesubt atunci când folosiți mașina la înălțime.
3. **Țineți bine mașina.**
4. **Nu atingeți piesele în mișcare.**
5. **Nu atingeți capul de acționare sau piesa prelucrată imediat după executarea lucrării; acestea pot fi extrem de fierbinți și pot provoca arsuri ale pielii.**
6. **Piesa de prelucrat trebuie fixată întotdeauna cu o menghină sau cu un alt dispozitiv similar de fixare.**

PĂSTRAȚI ACESTE INSTRUCȚIUNI.

⚠️ AVERTIZARE: NU permiteți comodității și familiarizării cu produsul (obținute prin utilizare repetată) să înlocuiască respectarea strictă a normelor de securitate pentru acest produs.

FOLOSIREA INCORECTĂ sau nerespectarea normelor de securitate din acest manual de instrucțiuni poate provoca vătămări corporale grave.

Instrucțiuni importante privind siguranța pentru cartușul acumulatorului

1. **Înainte de a folosi cartușul acumulatorului, citiți toate instrucțiunile și atenționările de pe (1) încărcătorul acumulatorului, (2) acumulator și (3) produsul care folosește acumulatorul.**
2. **Nu dezmembrați cartușul acumulatorului.**
3. **Dacă timpul de funcționare s-a redus excesiv, întrerupeți imediat funcționarea.** Aceasta poate prezenta risc de supraîncălzire, posibile arsuri și chiar explozie.
4. **Dacă electrolitul pătrunde în ochi, clătiți bine ochii cu apă curată și consultați imediat un medic.** Există risc de orbire.
5. **Nu scurtcircuitați cartușul acumulatorului:**
 - (1) Nu atingeți bornele cu niciun material conductor.
 - (2) Evitați depozitarea cartușului acumulatorului la un loc cu alte obiecte metalice cum ar fi cuie, monede etc.
 - (3) Nu expuneți cartușul acumulatorului la apă sau ploaie.

Un scurtcircuit al acumulatorului poate provoca un flux puternic de curent electric, supraîncălzire, posibile arsuri și chiar defectarea mașinii.

6. **Nu depozitați mașina și cartușul acumulatorului în spații în care temperatura poate atinge sau depăși 50 °C (122 °F).**
7. **Nu incinerati cartușul acumulatorului chiar dacă acesta este grav deteriorat sau complet uzat.** Cartușul acumulatorului poate exploda în foc.
8. **Aveți grijă să nu scăpați sau să loviți acumulatorul.**
9. **Nu utilizați un acumulator deteriorat.**
10. **Acumulatorii Li-Ion încorporați se supun cerințelor Legișlăției privind substanțele periculoase.**
Pentru transporturi comerciale, efectuate de exemplu de către părți terțe, expeditori, trebuie respectate cerințele speciale de ambalare și etichetare.
Pentru pregătirea articolului care urmează să fie expedit, este necesară consultarea unui expert în materiale periculoase. Vă rugăm să respectați, de asemenea, reglementările naționale, care pot fi mai detaliate.
Izolați sau acoperiți contactele deschise și împachetați acumulatorul în așa fel încât să nu se poată mișca în ambalaj.
11. **Respectați normele naționale privind eliminarea la deșeurile a acumulatorului.**
12. **Utilizați acumulatoroale numai cu produsele specificate de Makita.** Instalarea acumulatoroalelor în produse neconforme poate cauza incendii, căldură excesivă, explozii sau scurgeri de electrolit.

PĂSTRAȚI ACESTE INSTRUCȚIUNI.

⚠️ ATENȚIE: Folosiți numai acumulatori Makita originali. Acumulatorii Makita care nu sunt originali și acumulatorii care au suferit modificări se pot aprinde, provocând incendii, leziuni corporale și daune. De asemenea, anulează garanția oferită de Makita pentru unealta și încărcătorul Makita.

Sfaturi pentru obținerea unei durate maxime de exploatare a acumulatorului

1. **Încărcați cartușul acumulatorului înainte de a se descărca complet.** Întrerupeți întotdeauna funcționarea mașinii și încărcați cartușul acumulatorului când observați o scădere a puterii mașinii.
2. **Nu reîncărcați niciodată un acumulator complet încărcat.** Supraîncărcarea va scurta durata de exploatare a acumulatorului.
3. **Încărcați cartușul acumulatorului la temperatura camerei, între 10 °C - 40 °C (50 °F - 104 °F).** Lăsați un acumulator fierbinte să se răcească înainte de a-l încărca.
4. **Încărcați cartușul acumulatorului în cazul în care nu a fost utilizat pe o perioadă mai lungă (mai mult de șase luni).**

DESCRIERE FUNCȚIONALĂ

⚠️ ATENȚIE:

- Asigurați-vă întotdeauna că mașina este oprită și cartușul acumulatorului este scos înainte de a ajusta sau verifica funcționarea mașinii.

Instalarea sau scoaterea cartușului acumulatorului

- **Fig.1:** 1. Indicator roșu 2. Buton 3. Cartușul acumulatorului

⚠️ ATENȚIE:

- Opriti întotdeauna unealta înainte de montarea sau demontarea cartușului de acumulator.
- **Țineți ferm mașina și cartușul acumulatorului la montarea sau demontarea cartușului.** În caz contrar, acestea vă pot aluneca din mâini, rezultând defectarea lor și posibile accidente.

Pentru a scoate cartușul acumulatorului, glisați-l din unealtă în timp ce glisați butonul de pe partea frontală a cartușului. Pentru a instala cartușul acumulatorului, aliniați limba de pe cartușul acumulatorului cu canelura din carcasă și introduceți-l în locaș. Introduceți-l complet, până când se înclichează în locaș. Dacă puteți vedea indicatorul roșu din partea superioară a butonului, acesta nu este blocat complet.

⚠️ ATENȚIE:

- Instalați întotdeauna cartușul acumulatorului complet, până când indicatorul roșu nu mai este vizibil. În caz contrar, acesta poate cădea accidental din mașină provocând rănirea dumneavoastră sau a persoanelor din jur.
- Nu forțați cartușul de acumulator la montare. Dacă acesta nu glisează ușor, înseamnă că a fost introdus incorect.

Acționarea întrerupătorului

⚠️ ATENȚIE:

- Înainte de a introduce cartușul acumulatorului în mașină, verificați întotdeauna dacă butonul declanșator funcționează corect și revine în poziția "OFF" (oprit) când este eliberat.
- Comutatorul poate fi blocat în poziția "ON" (pornit) pentru confortul utilizatorului în timpul utilizării prelungite. Fiți atenți când blocați mașina în poziția "ON" (pornit) și mențineți o priză fermă la mașină.

- **Fig.2:** 1. Declanșator întrerupător 2. Buton de blocare

Pentru a porni mașina, trebuie doar să trageți butonul declanșator. Viteza mașinii poate fi crescută prin creșterea forței de apăsare a butonului declanșator. Eliberați butonul declanșator pentru a opri mașina. Pentru funcționare continuă, trageți de butonul declanșator, apăsați butonul de blocare și apoi eliberați butonul declanșator. Pentru a opri mașina din poziția blocată, trageți complet de butonul declanșator și apoi eliberați-l.

NOTĂ:

- Chiar și cu mașina pornită și motorul în operare, capul de înșurubare nu se rotește. Împingeți mașina în față pentru a acționa cuplajul.
- Mașina se oprește automat dacă motorul continuă să se rotească timp de 6 minute.

Mod de înșurubare prin împingere

- **Fig.3:** 1. Buton 2. Indicator mod

Această mașină are un mod de înșurubare prin împingere. În acest mod, mașina oprește motorul pentru a economisi energia acumulatorului în ralanti. Pentru a selecta modul de înșurubare prin împingere, trageți ușor declanșatorul, apoi eliberați-l și apăsați rapid butonul. Indicatorul de mod va lumina apoi. După ce înșurubarea prin împingere este activată, trageți butonul declanșator și apoi apăsați butonul de blocare. Aplicați presiune pe capul de înșurubare și motorul va începe să se rotească. O presiune mai mare va acționa cuplajul și capul de înșurubare va începe să se rotească. În modul de înșurubare prin împingere, motorul și capul de înșurubare se vor roti doar prin aplicarea presiunii.

NOTĂ:

- Dacă mașina nu este folosită timp de aproximativ 8 ore în modul de înșurubare prin împingere cu declanșatorul blocat, mașina este oprită. Într-un astfel de caz, eliberați și trageți declanșatorul din nou pentru repornire.

Aprinderea lămpii

- **Fig.4:** 1. Lampă 2. Buton

Pentru a aprinde lampa, trageți ușor butonul declanșator, eliberați-l și apoi apăsați butonul timp de câteva secunde. Lampa se aprinde. Lampa se stinge după aproximativ 10 secunde de la eliberarea butonului declanșator. Pentru a aprinde lampa din nou, trageți ușor iar de butonul declanșator. Pentru a continua să stingeți lumina, trageți ușor de butonul declanșator și eliberați-l. Apoi apăsați butonul timp de câteva secunde. În modul de înșurubare prin împingere cu butonul declanșator blocat, lampa se stinge la aproximativ un minut după ce motorul se oprește.

NOTĂ:

- În timpul tragerii butonului declanșator, modul lămpii nu poate fi schimbat.
- Timp de aproximativ 10 secunde după eliberarea butonului declanșator, modul lămpii poate fi schimbat.
- Folosiți o cârpă curată pentru a șterge depunerile de pe lentila lămpii. Aveți grijă să nu zgăriați lentila lămpii, deoarece calitatea iluminării va fi afectată.

Indicarea capacității rămase a acumulatorului

Diferă în funcție de țară

► **Fig.5:** 1. Indicator acumulator

Când trageți butonul declanșator, indicatorul de acumulator prezintă nivelul de încărcare a acumulatorului. Nivelul de încărcare a acumulatorului este indicat precum în tabelul următor.

Stare indicator acumulator ■ :PORNIT □ :OPRIT ◐ :Iluminare intermitentă	Capacitatea rămasă a acumulatorului
	50 % - 100 %
	20 % - 50 %
	0 % - 20 %
	Încărcați acumulatorul

NOTĂ:

- La aproximativ un minut după oprirea motorului, indicatoarele se sting pentru a economisi energia acumulatorului. Pentru verificarea nivelului de încărcare a acumulatorului, trageți ușor butonul declanșator.

Sistem de protecție mașină/ acumulator

Mașina este prevăzută cu un sistem de protecție mașină/ acumulator. Sistemul întrerupe automat alimentarea motorului pentru a extinde durata de viață a mașinii și acumulatorului.

Mașina se va opri automat în timpul funcționării când mașina sau acumulatorul se află într-una din situațiile următoare. În unele situații, indicatorul luminează.

Protecție la suprasarcină

Când mașina este utilizată într-un mod care cauzează un consum de curent neobișnuit de ridicat, mașina se va opri automat fără nicio indicație. În această situație, opriți mașina și aplicația care a dus la supraîncărcarea mașinii. Apoi reporniți mașina.

Protecție la supraîncălzire pentru mașină

Când mașina este supraîncălzită, mașina se oprește automat, iar indicatorul de acumulator indică starea următoare. În această situație, lăsați mașina să se răcească înainte de a o reporni.

Indicator acumulator	■ :PORNIT □ :OPRIT ◐ :Iluminare intermitentă
	Mașina este supraîncălzită

Indicarea capacității rămase a acumulatorului

Numai pentru cartușe de acumulator cu indicator

► **Fig.6:** 1. Lămpi indicatoare 2. Buton de verificare

Apăsați butonul de verificare de pe cartușul acumulatorului, astfel încât să se indice capacitățile rămase ale acumulatorului. Lămpile indicatorului vor lumina timp de câteva secunde.

Lămpi indicatoare			Capacitate rămasă
Iluminat	Oprit	Iluminare intermitentă	
■ ■ ■ ■			Între 75% și 100%
■ ■ ■ □			Între 50% și 75%
■ ■ □ □			Între 25% și 50%
■ □ □ □			Între 0% și 25%
◐ □ □ □			Încărcați acumulatorul.
■ □ □ □			Este posibil ca acumulatorul să fie defect.
□ □ ■ ■			

NOTĂ: În funcție de condițiile de utilizare și temperatura ambientală, indicația poate fi ușor diferită de capacitatea reală.

Funcționarea inversorului

ATENȚIE:

- Verificați întotdeauna sensul de rotație înainte de utilizare.
- Folosiți comutatorul de inversare numai după ce mașina s-a oprit complet. Schimbarea sensului de rotație înainte de oprirea mașinii poate avaria mașina.

► **Fig.7:** 1. Levier de inversor

Această mașină dispune de un comutator de inversare pentru schimbarea sensului de rotație. Deplasați pârghia comutatorului de inversare în poziția ← (poziția A) pentru rotire în sens orar sau în poziția → (poziția B) pentru rotire în sens anti-orar.

Când pârghia comutatorului de inversare se află în poziție neutră, butonul declanșator nu poate fi apăsat.

ATENȚIE: Atunci când nu folosiți mașina, deplasați întotdeauna pârghia comutatorului de inversare în poziția neutră.

Reglarea adâncimii

► Fig.8: 1. Fixator

Adâncimea poate fi reglată prin rotirea fixatorului. Acesta se va roti în direcția "B" pentru o adâncime mai mică și în direcția "A" pentru o adâncime mai mare. O rotație completă a fixatorului este egală cu 2 mm modificare în adâncime.

► Fig.9: 1. Fixator

Reglați fixatorul astfel încât distanța dintre vârful său și capătul șurubului să fie de aproximativ 3 mm, după cum se poate observa în figuri. Introduceți un șurub de probă în materialul dvs. sau o bucată de material duplicat. Dacă adâncimea tot nu este bună pentru șurub, continuați reglajul până obțineți adâncimea dorită.

Agățătoare

⚠ATENȚIE:

- Scoateți întotdeauna acumulatorul atunci când agățați unealta de agățătoare.
- Nu agățați niciodată mașina în locații înalte sau pe suprafețe potențial instabile.

► Fig.10: 1. Agățătoare

Cârligul este util pentru suspendarea temporară a mașinii.

MONTARE

⚠ATENȚIE:

- Asigurați-vă întotdeauna că mașina este oprită și cartușul acumulatorului este scos înainte de a executa orice lucrări la mașină.

Instalarea sau demontarea capului de înșurubare (bit)

► Fig.11: 1. Fixator

Pentru a demonta capul de înșurubare, trageți fixatorul. Apoi apucați capul de înșurubare cu o pereche de clești și trageți-l din portscula magnetică. Uneori, poate fi util să mișcați puțin capul de înșurubare cu cleștele în timp ce trageți.

► Fig.12: 1. Fixator 2. Cap de înșurubat 3. Portsculă magnetică

Pentru a instala capul de înșurubare, împingeți-l cu putere în portscula magnetică. Apoi instalați fixatorul apăsându-l cu putere înapoi.

Agățătoare

► Fig.13: 1. Canelură 2. Agățătoare 3. Șurub

Cârligul este util pentru suspendarea temporară a mașinii. Acesta poate fi instalat pe oricare latură a mașinii. Pentru a instala cârligul, introduceți-l în canelura din carcasa mașinii de pe oricare latură și apoi fixați-l cu un șurub. Pentru demontare, deșurubați șurubul și scoateți-l.

FUNȚIONARE

Înșurubarea

► Fig.14

Aplicați șurubul pe vârful sculei și așezați vârful șurubului pe suprafața piesei de fixat. Apăsăți pe mașină și porniți-o. Retrageți mașina imediat ce cuplajul anclanșează. Apoi eliberați butonul declanșator.

⚠ATENȚIE:

- Când instalați șurubul pe vârful sculei, aveți grijă să nu apăsați pe șurub. Dacă apăsați pe șurub, cuplajul va anclanșa și șurubul se va roti brusc. Acesta poate deteriora piesa sau poate provoca vătămări corporale.
- Asigurați-vă că ați introdus drept scula în capul șurubului, în caz contrar șurubul și/sau scula pot fi deteriorate.

ÎNȚREȚINERE

⚠ATENȚIE:

- Asigurați-vă întotdeauna că mașina este oprită și cartușul acumulatorului este scos înainte de a executa lucrările de inspecție și întreținere.
- Nu utilizați niciodată gazolină, benzină, diluant, alcool sau alte substanțe asemănătoare. În caz contrar, pot rezulta decolorări, deformări sau fisuri.

Pentru a menține SIGURANȚA și FIABILITATEA mașinii, reparațiile, schimbarea și verificarea peilor de carbon, precum și orice alte operațiuni de întreținere sau reglare trebuie să fie efectuate numai la Centrele de service autorizat Makita, folosindu-se piese de schimb Makita.

ACCESORII OPȚIONALE

⚠ATENȚIE:

- Folosiți accesoriile sau piesele auxiliare recomandate pentru mașina dumneavoastră în acest manual. Utilizarea oricăror alte accesorii sau piese auxiliare poate cauza vătămări. Folosiți accesoriile pentru operațiunea pentru care au fost concepute.

Dacă aveți nevoie de asistență sau de mai multe detalii referitoare la aceste accesorii, adresați-vă centrului local de service Makita.

- Capete de înșurubat Phillips
- Portsculă magnetică
- Acumulator și încărcător original Makita
- Cutia de plastic pentru transport

NOTĂ: Unele articole din listă pot fi incluse ca accesorii standard în ambalajul de scule. Acestea pot diferi în funcție de țară.

TECHNISCHE DATEN

Modell		DFS452
Leistungen	Gewindebohrende Schraube	6 mm
	Trockenbauschraube	5 mm
Leerlaufdrehzahl		0 - 4.000 min ⁻¹
Gesamtlänge	Mit schmalem Zentrierring	235 mm
	Mit breitem Zentrierring	251 mm
Netto-Gewicht		1,5 - 1,8 kg
Nennspannung		Gleichspannung 18 V

- Wir behalten uns vor, Änderungen der technischen Daten im Zuge der Entwicklung und des technischen Fortschritts ohne vorherige Ankündigung vorzunehmen.
- Die technischen Daten können von Land zu Land unterschiedlich sein.
- Das Gewicht kann abhängig von dem Aufsatz (den Aufsätzen), einschließlich des Akkus, unterschiedlich sein. Die leichteste und die schwerste Kombination, gemäß dem EPTA-Verfahren 01/2014, sind in der Tabelle angegeben.

Zutreffende Akkus und Ladegeräte

Akku	BL1815N / BL1820 / BL1820B / BL1830 / BL1830B / BL1840 / BL1840B / BL1850 / BL1850B / BL1860B
Ladegerät	DC18RC / DC18RD / DC18RE / DC18SD / DC18SE / DC18SF

- Einige der oben aufgelisteten Akkus und Ladegeräte sind je nach Ihrem Wohngebiet eventuell nicht erhältlich.

⚠️ WARNUNG: Verwenden Sie nur die oben aufgeführten Akkus und Ladegeräte. Bei Verwendung irgendwelcher anderer Akkus und Ladegeräte besteht Verletzungs- und/oder Brandgefahr.

Verwendungszweck

Das Werkzeug wurde für das Schrauben in Holz, Metall und Kunststoff entwickelt.

Geräuschpegel

Die typischen A-bewerteten Geräuschpegel, bestimmt gemäß EN62841:

Schalldruckpegel (L_{pA}): 72 dB (A)

Abweichung (K): 3 dB (A)

Unter Arbeitsbedingungen kann der Schalldruckpegel 80 dB (A) überschreiten.

Tragen Sie Gehörschutz

Schwingung

Schwingungsgesamtwerte (Vektorsumme dreier Achsen) nach EN62841:

Arbeitsmodus: Schrauben ohne Schlag

Schwingungsbelastung (a_{h1}): 2,5 m/s² oder weniger

Abweichung (K): 1,5 m/s²

HINWEIS: Die deklarierte Schwingungsbelastung wurde gemäß der Standardtestmethode gemessen und kann für den Vergleich von Werkzeugen untereinander verwendet werden.

HINWEIS: Die deklarierte Schwingungsbelastung kann auch in einer vorläufigen Bewertung der Gefährdung verwendet werden.

⚠️ WARNUNG: Die Schwingungsbelastung während der tatsächlichen Anwendung des Elektrowerkzeugs kann in Abhängigkeit von der Art und Weise der Verwendung des Werkzeugs vom deklarierten Belastungswert abweichen.

⚠️ WARNUNG: Stellen Sie sicher, dass Schutzmaßnahmen für den Bediener getroffen werden, die auf den unter den tatsächlichen Arbeitsbedingungen zu erwartenden Belastungen beruhen (beziehen Sie alle Bestandteile des Arbeitsablaufs ein, also zusätzlich zu den Arbeitszeiten auch Zeiten, in denen das Werkzeug ausgeschaltet ist oder ohne Last läuft).

EG-Konformitätserklärung

Nur für europäische Länder

Die EG-Konformitätserklärung ist als Anhang A in dieser Bedienungsanleitung enthalten.

Allgemeine Sicherheitswarnungen für Elektrowerkzeuge

⚠️ WARNUNG: Lesen Sie alle mit diesem Elektrowerkzeug gelieferten Sicherheitswarnungen, Anweisungen, Abbildungen und technischen Daten durch. Eine Missachtung der unten aufgeführten Anweisungen kann zu einem elektrischen Schlag, Brand und/oder schweren Verletzungen führen.

Bewahren Sie alle Warnungen und Anweisungen für spätere Bezugnahme auf.

Der Ausdruck „Elektrowerkzeug“ in den Warnhinweisen bezieht sich auf Ihr mit Netzstrom (mit Kabel) oder Akku (ohne Kabel) betriebenes Elektrowerkzeug.

Sicherheitswarnungen für Akku-Schrauber

1. Halten Sie das Elektrowerkzeug nur an den isolierten Griffflächen, wenn Sie Arbeiten ausführen, bei denen die Gefahr besteht, dass das Befestigungselement verborgene Kabel kontaktiert. Bei Kontakt mit einem Strom führenden Kabel können die freiliegenden Metallteile des Elektrowerkzeugs ebenfalls Strom führend werden, so dass der Benutzer einen elektrischen Schlag erleiden kann.
2. Achten Sie stets auf sicheren Stand. Vergewissern Sie sich bei Einsatz des Werkzeugs an hochgelegenen Arbeitsplätzen, dass sich keine Personen darunter aufhalten.
3. Halten Sie das Werkzeug mit festem Griff.
4. Halten Sie Ihre Hände von rotierenden Teilen fern.
5. Vermeiden Sie eine Berührung des Einsatzes oder des Werkstücks unmittelbar nach der Bearbeitung, weil die Teile noch sehr heiß sind und Hautverbrennungen verursachen können.
6. Spannen Sie Werkstücke stets in einen Schraubstock oder eine ähnliche Aufspannvorrichtung ein.

DIESE ANWEISUNGEN AUFBEWAHREN.

⚠️ WARNUNG: Lassen Sie sich NICHT durch Bequemlichkeit oder Vertrautheit mit dem Produkt (durch wiederholten Gebrauch erworben) von der strikten Einhaltung der Sicherheitsregeln für das vorliegende Produkt abhalten.

MISSBRAUCH oder Missachtung der Sicherheitsvorschriften in dieser Anleitung können schwere Verletzungen verursachen.

Wichtige Sicherheitsanweisungen für Akku

1. Lesen Sie vor der Benutzung des Akkus alle Anweisungen und Warnhinweise, die an (1) Ladegerät, (2) Akku und (3) Akkuwerkzeug angebracht sind.
2. Unterlassen Sie ein Zerlegen des Akkus.
3. Falls die Betriebszeit beträchtlich kürzer geworden ist, stellen Sie den Betrieb sofort ein. Anderenfalls besteht die Gefahr von Überhitzung, möglichen Verbrennungen und sogar einer Explosion.
4. Falls Elektrolyt in Ihre Augen gelangt, waschen Sie sie mit sauberem Wasser aus, und begeben Sie sich unverzüglich in ärztliche Behandlung. Anderenfalls können Sie Ihre Sehkraft verlieren.
5. Der Akku darf nicht kurzgeschlossen werden:
 - (1) Die Kontakte dürfen nicht mit leitfähigem Material berührt werden.
 - (2) Lagern Sie den Akku nicht in einem Behälter zusammen mit anderen Metallgegenständen, wie z. B. Nägel, Münzen usw.
 - (3) Setzen Sie den Akku weder Wasser noch Regen aus.

Ein Kurzschluss des Akkus verursacht starken Stromfluss, der Überhitzung, mögliche Verbrennungen und einen Defekt zur Folge haben kann.

6. Lagern Sie das Werkzeug und den Akku nicht an Orten, an denen die Temperatur 50 °C erreichen oder überschreiten kann.
7. Versuchen Sie niemals, den Akku zu verbrennen, selbst wenn er stark beschädigt oder vollkommen verbraucht ist. Der Akku kann im Feuer explodieren.
8. Achten Sie darauf, dass der Akku nicht fallen gelassen oder Stößen ausgesetzt wird.
9. Benutzen Sie keine beschädigten Akkus.
10. Die enthaltenen Lithium-Ionen-Akkus unterliegen den Anforderungen der Gefahrgut-Gesetzgebung.

Für kommerzielle Transporte, z. B. durch Dritte oder Spediteure, müssen besondere Anforderungen zu Verpackung und Etikettierung beachtet werden.

Zur Vorbereitung des zu transportierenden Artikels ist eine Beratung durch einen Experten für Gefahrgut erforderlich. Bitte beachten Sie möglicherweise ausführlichere nationale Vorschriften. Überleben oder verdecken Sie offene Kontakte, und verpacken Sie den Akku so, dass er sich in der Verpackung nicht umher bewegen kann.
11. Befolgen Sie die örtlichen Bestimmungen bezüglich der Entsorgung von Akkus.
12. Verwenden Sie die Akkus nur mit den von Makita angebotenen Produkten. Das Einsetzen der Akkus in nicht konforme Produkte kann zu einem Brand, übermäßiger Hitzebildung, einer Explosion oder Auslaufen von Elektrolyt führen.

DIESE ANWEISUNGEN AUFBEWAHREN.

⚠ VORSICHT: Verwenden Sie nur Original-Makita-Akkus. Die Verwendung von Nicht-Original-Makita-Akkus oder von Akkus, die abgeändert worden sind, kann zum Bersten des Akkus und daraus resultierenden Bränden, Personenschäden und Beschädigung führen. Außerdem wird dadurch die Makita-Garantie für das Makita-Werkzeug und -Ladegerät ungültig.

Hinweise zur Aufrechterhaltung der maximalen Akku-Nutzungsdauer

1. **Laden Sie den Akku, bevor er vollkommen erschöpft ist. Schalten Sie das Werkzeug stets aus, und laden Sie den Akku, wenn Sie ein Nachlassen der Werkzeugleistung feststellen.**
2. **Unterlassen Sie erneutes Laden eines voll aufgeladenen Akkus. Überladen führt zu einer Verkürzung der Nutzungsdauer des Akkus.**
3. **Laden Sie den Akku bei Raumtemperatur zwischen 10 – 40 °C. Lassen Sie einen heißen Akku abkühlen, bevor Sie ihn laden.**
4. **Der Akku muss geladen werden, wenn er lange Zeit (länger als sechs Monate) nicht benutzt wird.**

FUNKTIONSBESCHREIBUNG

⚠ VORSICHT:

- Schalten Sie das Werkzeug stets aus und entfernen Sie den Akkublock, bevor Sie Einstellungen oder eine Funktionsprüfung des Werkzeugs vornehmen.

Montage und Demontage des Akkublocks

► **Abb.1:** 1. Rote Anzeige 2. Taste 3. Akkublock

⚠ VORSICHT:

- Schalten Sie das Werkzeug immer aus, bevor Sie den Akkublock einsetzen oder entnehmen.
- **Halten Sie das Werkzeug und den Akkublock sicher fest, wenn Sie den Akkublock einsetzen oder herausnehmen.** Andernfalls könnte Ihnen das Werkzeug oder der Akkublock aus den Händen fallen, sodass das Werkzeug oder der Akkublock beschädigt werden oder diese Verletzungen verursachen.

Zum Entnehmen des Akkublocks müssen Sie die Taste auf der Vorderseite des Akkublocks schieben und gleichzeitig den Akkublock aus dem Werkzeug herausziehen.

Zum Einsetzen des Akkublocks müssen Sie die Zunge des Akkublocks an der Rille im Gehäuse ausrichten und in die gewünschte Position schieben. Setzen Sie den Akkublock ganz ein, bis er mit einem Klick einrastet. Wenn Sie den roten Bereich oben auf der Taste sehen können, ist der Akkublock nicht ganz eingerastet.

⚠ VORSICHT:

- Setzen Sie den Akkublock unbedingt ganz ein, bis der rote Bereich nicht mehr zu sehen ist. Andernfalls kann der Akkublock versehentlich aus dem Werkzeug fallen und Sie oder Personen in Ihrem Umfeld verletzen.
- Setzen Sie den Akkublock nicht mit Gewalt ein. Wenn der Akkublock nicht leicht hineingleitet, ist er nicht richtig angesetzt.

Einschalten

⚠ VORSICHT:

- Achten Sie vor dem Einsetzen des Akkublocks in das Werkzeug darauf, dass sich der Auslöseschalter korrekt bedienen lässt und beim Loslassen auf die Position "OFF" (AUS) zurückkehrt.
- Der Schalter lässt sich in Stellung "ON" arretieren, um die Bedienung bei längerem Gebrauch zu vereinfachen. Seien Sie vorsichtig, wenn das Werkzeug auf "ON" fest eingestellt ist, und halten Sie es gut fest.

► **Abb.2:** 1. Griffschalter 2. Blockierungstaste

Betätigen Sie zum Starten des Werkzeugs einfach den Auslöseschalter. Die Geschwindigkeit des Werkzeugs wird durch größeren Druck auf den Auslöseschalter erhöht. Lassen Sie zum Ausschalten des Werkzeugs den Auslöseschalter los.

Zum Einschalten des Dauerbetriebs betätigen Sie den Auslöseschalter, drücken Sie die Arretiertaste hinein und lassen Sie dann den Schalter los.

Zum Ausschalten des Werkzeugs in arretiertem Zustand drücken Sie den Auslöseschalter voll hinein und lassen Sie den Schalter dann los.

HINWEIS:

- Selbst wenn der Schalter eingeschaltet ist und der Motor läuft, dreht sich der Einsatz nicht. Drücken Sie das Werkzeug nach vorn, um die Kupplung zu aktivieren.
- Das Werkzeug stoppt automatisch, wenn der Motor etwa 6 Minuten lang durchgehend läuft.

Druck-Schraubmodus

► Abb.3: 1. Taste 2. Modusanzeige

Dieses Werkzeug verfügt über einen sogenannten Druck-Schraubmodus. In diesem Modus schaltet das Werkzeug im Leerlauf die Stromzufuhr zum Motor ab, um den Akku zu schonen.

Um den Druck-Schraubmodus anzuwählen, den Auslöseschalter leicht betätigen, dann loslassen und schnell die Taste drücken. Die Modusanzeige leuchtet dann auf.

Betätigen Sie, nachdem der Druck-Schraubmodus aktiviert wurde, den Auslöseschalter und drücken Sie dann die Arretiertaste. Sobald Sie nun Druck auf den Einsatz ausüben, beginnt der Motor zu drehen. Wenn Sie den Druck weiter erhöhen, wird die Kupplung aktiviert und der Schraubeinsatz beginnt sich zu drehen. Im Druck-Schraubmodus drehen Motor und Schraubeinsatz nur, wenn Druck auf den Einsatz ausgeübt wird.

HINWEIS:

- Wenn das Werkzeug im Druck-Schraubmodus bei arretiertem Auslöseschalter etwa 8 Stunden lang nicht in Betrieb genommen wird, schaltet sich das Werkzeug ab. Um das Werkzeug in so einem Fall neu zu starten, lassen Sie den Auslöseschalter los und betätigen Sie ihn erneut.

Einschalten der Lampe

► Abb.4: 1. Lampe 2. Taste

Um die Lampe einzuschalten, betätigen Sie leicht den Auslöseschalter, lassen Sie ihn los und drücken Sie dann für ein paar Sekunden die Taste. Die Lampe leuchtet auf. Nach dem Loslassen des Auslöseschalters erlischt die Lampe nach ca. 10 Sekunden. Um die Lampe erneut einzuschalten, betätigen Sie erneut leicht den Auslöseschalter.

Um das Licht permanent auszuschalten, den Auslöseschalter leicht betätigen und loslassen. Dann die Taste für ein paar Sekunden drücken.

Im Druck-Schraubmodus bei arretiertem Auslöseschalter erlischt die Lampe etwa eine Minute nach dem Stopp des Motors.

HINWEIS:

- Während der Betätigung des Auslöseschalters kann der Lampenmodus nicht geändert werden.
- Etwa 10 Sekunden nach dem Loslassen des Auslöseschalters kann der Lampenmodus geändert werden.
- Verwenden Sie für das Abwischen der Unreinheiten von der Lichtlinse einen trockenen Lappen. Achten Sie darauf, dass Sie die Lichtlinse nicht zerkratzen, dadurch kann ihre Leuchtkraft verringert werden.








Anzeigen der verbleibenden Akkuleistung

Länderspezifisch

► Abb.5: 1. Anzeige Akkuladestatus

Wenn Sie den Ein/Aus-Schalter betätigen, zeigt die Akkuanzeige die verbleibende Akkuladung an.

Die verbleibende Akkuleistung wird gemäß der folgenden Tabelle angezeigt.

Status der Akkuanzeige	Verbleibende Akkuleistung
 ON (EIN)  OFF (AUS)  Blink	
	50 % - 100 %
	20 % - 50 %
	0 % - 20 %
	Laden Sie den Akkublock auf

HINWEIS:

- Ungefähr eine Minute nach dem Stoppen des Motors erlöschen die Anzeigen, um Akkuleistung zu sparen. Zum Prüfen der verbleibenden Akkuladung betätigen Sie den Auslöseschalter leicht.

Werkzeug-/Akku-Schutzsystem

Das Werkzeug ist mit einem Werkzeug-/Akku-Schutzsystem ausgestattet. Dieses System schaltet die Stromversorgung des Motors automatisch aus, um die Lebensdauer des Werkzeugs und des Akkus zu verlängern.

Unter folgenden Bedingungen des Werkzeugs und/oder des Akkus kann das Werkzeug während des Betriebs automatisch stoppen. Unter einigen dieser Bedingungen leuchtet die Anzeige auf.

Überlastungsschutz

Wird das Werkzeug auf eine Weise betrieben, die zu einer abnormal hohen Stromaufnahme führt, stoppt das Werkzeug automatisch ohne jede Anzeige. Schalten Sie in dieser Situation das Werkzeug aus und beenden Sie die Arbeiten, die zu der Überlastung des Werkzeugs geführt haben. Schalten Sie dann das Werkzeug zum erneuten Starten wieder ein.

Überhitzungsschutz für das Werkzeug

Ist das Werkzeug überhitzt, stoppt das Werkzeug automatisch und die Akkuanzeige zeigt folgenden Status an. Lassen Sie in dieser Situation das Werkzeug erst abkühlen, bevor Sie es wieder einschalten.

Anzeige Akkuladestatus	ON : (EIN)	OFF : (AUS)	: Blinkt
	Werkzeug ist überhitzt		

Anzeigen der Akku-Restkapazität

Nur für Akkus mit Anzeige

► **Abb.6:** 1. Anzeigelampen 2. Prüftaste

Drücken Sie die Prüftaste am Akku, um die Akku-Restkapazität anzuzeigen. Die Anzeigelampen leuchten wenige Sekunden lang auf.

Anzeigelampen			Restkapazität
Erleuchtet	Aus	Blinkend	
			75 % bis 100 %
			50% bis 75%
			25% bis 50%
			0% bis 25%
			Den Akku aufladen.
			Möglicherweise liegt eine Funktionsstörung im Akku vor.

HINWEIS: Abhängig von den Benutzungsbedingungen und der Umgebungstemperatur kann die Anzeige geringfügig von der tatsächlichen Kapazität abweichen.

Umschalten der Drehrichtung

⚠ VORSICHT:

- Überprüfen Sie vor jedem Betrieb immer die Drehrichtung.
- Der Umschalter darf nur betätigt werden, wenn das Werkzeug ganz angehalten wurde. Wenn Sie die Drehrichtung ändern, solange das Werkzeug noch läuft, kann es beschädigt werden.

► **Abb.7:** 1. Umschalthebel der Drehrichtung

Dieses Werkzeug verfügt über einen Umschalter, mit dem die Drehrichtung geändert werden kann. Stellen Sie für eine Drehbewegung im Uhrzeigersinn den Umschalthebel in die Stellung (Seite A) und für eine Drehbewegung gegen den Uhrzeigersinn in die Stellung (Seite B).

Wenn sich der Umschalthebel in der neutralen Position befindet, kann der Auslöseschalter nicht gezogen werden.

⚠ VORSICHT:

Ist das Werkzeug nicht in Gebrauch, muss der Umschalthebel immer auf die neutrale Position gestellt werden.

Tiefeneinstellung

► **Abb.8:** 1. Zentrierring

Die Tiefe kann durch Drehen des Zentrierrings eingestellt werden. Drehen in Richtung „B“ verringert die Tiefe, Drehen in Richtung „A“ erhöht die Tiefe. Eine volle Umdrehung des Zentrierrings entspricht einer Tiefenänderung von 2 mm.

► **Abb.9:** 1. Zentrierring

Stellen Sie den Zentrierring so ein, dass der Abstand zwischen der Spitze des Zentrierrings und dem Schraubenkopf ca. 3 mm beträgt (siehe Abbildung). Schrauben Sie zur Probe eine Schraube in das Material oder in ein gleichartiges Material. Falls die Tiefe für die Schraube nicht ausreicht, passen Sie die Einstellung bis zur entsprechenden Tiefe weiter an.

Haken

⚠ VORSICHT:

- Ziehen Sie stets den Akkublock vom Werkzeug ab, wenn Sie das Werkzeug am Haken aufhängen.
- Haken Sie das Werkzeug niemals an erhöhten Orten oder an einer instabilen Oberflächen ein.

► **Abb.10:** 1. Haken

Der Haken ist nützlich, wenn Sie das Werkzeug vorübergehend aufhängen möchten.

MONTAGE

⚠ VORSICHT:

- Schalten Sie das Werkzeug stets aus, und entfernen Sie den Akkublock, bevor Sie Arbeiten am Werkzeug ausführen.

Montage und Demontage des Einsatzes

► **Abb.11:** 1. Zentrierung

Zum Entfernen des Einsatzes ziehen Sie den Zentriering. Fassen Sie den Einsatz anschließend mit einer Zange und ziehen Sie ihn aus dem Magneteinsatzhalter. Wackeln Sie bei Bedarf mit der Zange am Einsatz, um diesen herauszuziehen.

► **Abb.12:** 1. Zentrierung 2. Einsatz 3. Magneteinsatzhalter

Zum Einsetzen drücken Sie den Einsatz fest in den Magneteinsatzhalter. Drücken Sie zum Einsetzen des Zentrierings wieder fest zurück.

Haken

► **Abb.13:** 1. Rille 2. Haken 3. Schraube

Der Haken ist nützlich, wenn Sie das Werkzeug vorübergehend aufhängen möchten. Er kann an jeder Seite des Werkzeugs befestigt werden.

Setzen Sie den Haken zur Montage in eine Rille am Werkzeuggehäuse (die Seite ist beliebig), und befestigen Sie diesen mit einer Schraube. Zur Entfernung müssen Sie nur die Schraube lockern und den Haken herausnehmen.

ARBEIT

Schraubendreherbetrieb

► **Abb.14**

Bringen Sie die Schraube auf der Spitze des Einsatzes an und setzen Sie die Schraubenspitze auf der Oberfläche des zu befestigenden Werkstücks an. Üben Sie Druck auf das Werkzeug aus und starten Sie es. Ziehen Sie das Werkzeug zurück, sobald die Kupplung unterbricht. Lassen Sie dann den Auslöseschalter los.

⚠ VORSICHT:

- Wenn Sie die Schraube auf die Spitze des Einsatzes aufsetzen, dürfen Sie keinen Druck auf die Schraube ausüben. Wenn die Schraube hineingedrückt wird, wird die Kupplung aktiviert, und die Schraube dreht sich. Dies kann das Werkstück beschädigen und zu Verletzungen führen.
- Vergewissern Sie sich, dass der Einsatz gerade im Schraubenkopf sitzt. Andernfalls kann die Schraube und/oder der Einsatz beschädigt werden.

WARTUNG

⚠ VORSICHT:

- Schalten Sie das Werkzeug stets aus und entfernen Sie den Akkublock, bevor Sie Inspektionen oder Wartungsarbeiten am Werkzeug vornehmen.
- Verwenden Sie zum Reinigen niemals Kraftstoffe, Benzin, Verdünnern, Alkohol oder ähnliches. Dies kann zu Verfärbungen, Verformungen oder Rissen führen.

Zur Aufrechterhaltung der SICHERHEIT und ZUVERLÄSSIGKEIT des Produkts müssen die Reparaturen, die Kontrolle und der Wechsel der Kohlen sowie alle Wartungen und Einstellungen von den autorisierten Servicestellen der Firma Makita und unter Verwendung der Ersatzteile von Makita durchgeführt werden.

SONDERZUBEHÖR

⚠ VORSICHT:

- Für Ihr Werkzeug Makita, das in dieser Anleitung beschrieben ist, empfehlen wir folgende Zubehörteile und Aufsätze zu verwenden. Bei der Verwendung anderer Zubehörteile oder Aufsätze kann die Verletzungsgefahr für Personen drohen. Die Zubehörteile und Aufsätze dürfen nur für ihre festgelegten Zwecke verwendet werden.

Wenn Sie nähere Informationen bezüglich dieses Zubehörs benötigen, wenden Sie sich bitte an Ihre örtliche Servicestelle der Firma Makita.

- Phillips-Zwischeneinsätze
- Magneteinsatzhalter
- Originalakku und Ladegerät von Makita
- Kunststoffkoffer

HINWEIS: Einige der in der Liste aufgeführten Elemente sind dem Werkzeugpaket als Standardzubehör beigelegt. Diese können in den einzelnen Ländern voneinander abweichen.

RÉSZLETES LEÍRÁS

Modell		DFS452
Teljesítmény	Önbehajtó csavar	6 mm
	Csavar szárazfalazatba	5 mm
Üresjárat fordulatszám		0 - 4000 min ⁻¹
Teljes hossz	Rövid rögzítővel	235 mm
	Hosszú rögzítővel	251 mm
Tiszta tömeg		1,5 - 1,8 kg
Névleges feszültség		18 V, egyenáram

- Folyamatos kutató- és fejlesztőprogramunk eredményeként az itt felsorolt tulajdonságok figyelmeztetés nélkül megváltozhatnak.
- A tulajdonságok országról országra különbözhetnek.
- A súly a felszerelt tartozékoktól függően változhat, az akkumulátort is beleértve. Az EPTA 01/2014 eljárás szerint meghatározott legnehezebb, illetve legkönnyebb kombináció a táblázatban látható.

Alkalmazható akkumulátorok és töltők

Akkumulátor	BL1815N / BL1820 / BL1820B / BL1830 / BL1830B / BL1840 / BL1840B / BL1850 / BL1850B / BL1860B
Töltő	DC18RC / DC18RD / DC18RE / DC18SD / DC18SE / DC18SF

- Lakóhelyétől függően előfordulhat, hogy a fent felsorolt akkumulátorok és töltők nem érhetőek el.

▲ FIGYELMEZTETÉS: Csak a fentiekben felsorolt akkumulátorokat és töltőket használja. Bármilyen más akkumulátor vagy töltő használata sérüléseket és/vagy tüzet okozhat.

Rendeltetésszerű használat

A szerszám csavarbehajtásra használható, fába, fémebbe és műanyagokba.

Zaj

A tipikus A-súlyozású zajszint, a EN62841 szerint meghatározva:

Hangnyomásszint (L_{pA}): 72 dB (A)

Tűrés (K): 3 dB (A)

A zajszint a munkavégzés során meghaladhatja a 80 dB (A) értéket.

Viseljen fülvédőt

Vibráció

A vibráció teljes értéke (háromtengelyű vektorösszeg) EN62841 szerint meghatározva:

Működési mód: csavarbehajtás ütések nélkül

Rezgéskibocsátás (a_{h1}): 2,5 m/s² vagy kevesebb

Tűrés (K): 1,5 m/s²

MEGJEGYZÉS: A rezgéskibocsátás értéke a szabványos vizsgálati eljárásnak megfelelően lett mérve, és segítségével az elektromos kéziszerszámok összehasonlíthatók egymással.

MEGJEGYZÉS: A rezgéskibocsátás értékének segítségével előzetesen megbecsülhető a rezgésnek való kitétségek mértéke.

▲ FIGYELMEZTETÉS: A szerszám rezgéskibocsátása egy adott alkalmazásnál eltérhet a megadott értéktől a használat módjától függően.

▲ FIGYELMEZTETÉS: Határozza meg a kezelő védelmét szolgáló munkavédelmi lépéseket, melyek az adott munkafeltételek melletti vibrációs hatás becsült mértékén alapulnak (figyelembe véve a munkaciklus elemeit, mint például a gép leállításának és üresjáratának mennyiségét az elindítások száma mellett).

EK Megfelelőségi nyilatkozat

Csak európai országokra vonatkozóan

Az EK-megfelelőségi nyilatkozat az útmutató „A” mellékletében található.

A szerszámgépekre vonatkozó általános biztonsági figyelmeztetések

▲ FIGYELMEZTETÉS: Olvassa el a szerszámgéphez mellékelt összes biztonsági figyelmeztetést, utasítást, illusztrációt és a műszaki adatokat. A következőkben leírt utasítások figyelmen kívül hagyása elektromos áramütést, tüzet és/vagy súlyos sérülést eredményezhet.

Őrizzen meg minden figyelmeztést és utasítást a későbbi tájékozódás érdekében.

A figyelmeztetésekben szereplő "szerszám gép" kifejezés az Ön hálózatról (vezetékes) vagy akkumulátorról (vezeték nélküli) működtetett szerszám gépére vonatkozik.

Az akkumulátoros csavarbehajtóra vonatkozó biztonsági figyelmeztetések

1. **Tartsa az elektromos szerszámot a szigetelt markolófelületeinél fogva, amikor olyan műveletet végez, melynek során fennáll a veszélye, hogy a rögzítő rejtett vezetékbe ütközhet. A rögzítők áram alatt lévő vezetékkel való érintkezésekor a szerszám fém alkatrészei is áram alá kerülnek, és megrázhathják a kezelőt.**
2. **Mindig stabil helyzetben dolgozzon. A szerszám magasban történő használatkor győződjön meg arról, hogy nem tartózkodik-e valaki odalent.**
3. **Tartsa stabilan a szerszámot.**
4. **Ne nyúljon a forgó részekhez.**
5. **Ne érjen a szerszámhoz vagy a munkadarabhoz közvetlenül a munkavégzést követően; azok rendkívül forrók lehetnek és megégethetik a bőrt.**
6. **A munkadarabokat mindig rögzítse satuban, vagy más hasonló befogó eszközzel.**

ŐRIZZE MEG EZEKET AZ UTASÍTÁSOKAT.

▲ FIGYELMEZTETÉS: NE HAGYJA, hogy (a termék többszöri használatából eredő) kényelem és megszokás váltsa fel a termék biztonsági előírásainak szigorú betartását.

A HELYTELEN HASZNÁLAT és a használati útmutatóban szereplő biztonsági előírások megszegése súlyos személyi sérülésekhez vezethet.

Fontos biztonsági utasítások az akkumulátorra vonatkozóan

1. **Az akkumulátor használata előtt tanulmányozza át az akkumulátortöltőt (1), az akkumulátoron (2) és az akkumulátorral működtetett terméken (3) olvasható összes utasítást és figyelmeztető jelzést.**
2. **Ne szerelje szét az akkumulátort.**
3. **Ha a működési idő nagyon lerövidült, azonnal hagyja abba a használatot. Ez a túlmelegedés, esetleges égések és akár robbanás veszélyével is járhat.**
4. **Ha elektrolit kerül a szemébe, mossa ki azt tiszta vízzel és azonnal kérjen orvosi segítséget. Ez a látásának elvesztését okozhatja.**
5. **Ne zárja rövidre az akkumulátort:**
 - (1) **Ne érjen az érintkezőkhöz elektromosan vezető anyagokkal.**

- (2) **Ne tárolja az akkumulátort más fémtárgyakkal, mint pl. szegekkel, érmekkel, stb. egy helyen.**
- (3) **Ne tegye ki az akkumulátort víznek vagy esőnek.**

Az akkumulátor rövidzárlata nagy áramerősséget, túlmelegedést, égéseket, sőt akár meghibásodást is okozhat.

6. **Ne tárolja a szerszámot vagy az akkumulátort olyan helyen, ahol a hőmérséklet elérheti vagy meghaladhatja az 50 °C-ot (122 °F).**
7. **Ne égesse el az akkumulátort még akkor sem, ha az komolyan megsérült vagy teljesen elhasználódott. Az akkumulátor a tűzben felrobbanhat.**
8. **Vigyázzon, nehogy leejtse vagy megüsse az akkumulátort.**
9. **Ne használjon sérült akkumulátort.**
10. **A készülékben található lítium-ion akkumulátorokra a veszélyes árukkal kapcsolatos előírások vonatkoznak.**

A termék pl. harmadik felek, fuvarozó cégek stb. által történő szállítása esetén minden esetben tartsa szem előtt a csomagoláson és a címkén található speciális követelményeket.

A termék szállításra történő felkészítése esetén vegye fel a kapcsolatot egy veszélyes anyagokkal foglalkozó szakemberrel. Kérjük, hogy az esetlegesen szigorúbb nemzeti előírásokat is vegye figyelembe.

Ragassza le a kiálló érintkezőket, illetve oly módon csomagolja be az akkumulátort, hogy az ne tudjon elmozdulni a csomagolásban.
11. **Az akkumulátor ártalmatlanításakor tartsa be a helyi előírásokat.**
12. **Az akkumulátorokat csak a Makita által megjelölt termékekhez használja.** Ha az akkumulátorokat azokkal nem kompatibilis termékekbe helyezi, az tűzhöz, túlmelegedéshez, robbanás-hoz vagy elektrolitszivárgáshoz vezethet.

ŐRIZZE MEG EZEKET AZ UTASÍTÁSOKAT.

▲ VIGYÁZAT: Csak eredeti Makita akkumulátorokat használjon. A nem eredeti Makita akkumulátorok vagy módosított akkumulátorok használata esetén az akkumulátor felrobbanhat, ami tüzet, személyi sérülést és anyagi kárt okozhat. A Makita szerszámra és töltőre vonatkozó Makita garanciát is érvénytelenítheti.

Tippek az akkumulátor maximális élettartamának eléréséhez

1. **Töltse fel az akkumulátort, mielőtt teljesen lemerülne. Állítsa le a gépet, és töltse fel az akkumulátort, ha a gép erejének csökkenését észleli.**
2. **Soha ne töltse újra a teljesen feltöltött akkumulátort. A túltöltés csökkenti az akkumulátor élettartamát.**
3. **Töltse az akkumulátort szobahőmérsékleten, 10 °C - 40 °C (50 °F - 104 °F) között. Töltés előtt hagyja lehűlni a főforrósodott akkumulátort.**
4. **Töltse fel az akkumulátort, ha hosszabb ideje (több mint hat hónapja) nem használta azt.**

MŰKÖDÉSI LEÍRÁS

⚠ VIGYÁZAT:

- Minden esetben ellenőrizze, hogy a szerszám ki van kapcsolva és az akkumulátor eltávolításra került mielőtt beállít vagy ellenőriz valamilyen funkciót a szerszámon.

Az akkumulátor behelyezése és eltávolítása

► **Ábra1:** 1. Piros jelölés 2. Gomb 3. Akkumulátor

⚠ VIGYÁZAT:

- Mindig kapcsolja ki az eszközt, mielőtt behelyezi vagy eltávolítja az akkumulátort.
- **Az akkumulátort és a szerszámot tartsa erősen, amikor az akkumulátort a szerszáma helyezi vagy eltávolítja arról.** Amennyiben nem így jár el, a szerszám vagy az akkumulátor a kezéből kicsúszhat és megsérülhet, illetve személyi sérülést okozhat.

Az akkumulátoregység kivételéhez nyomja be az akkumulátoregység elején található gombot, és tolja ki az egységet. Az akkumulátor beszereléséhez illesse az akkumulátor nyelvét a burkolaton található vátjába és csúsztassa a helyére. Egészen addig tolja be, amíg egy kis kattánással a helyére nem ugrik. Ha látható a piros jelölés a gomb felső oldalán, akkor a gomb nem kattant be teljesen.

⚠ VIGYÁZAT:

- Mindig tolja be teljesen az akkumulátort, amíg a piros jelölés el nem tűnik. Ha ez nem történik meg, akkor az akkumulátor kieshet a szerszámból, és Önnek vagy a környezetében másnak sérülést okozhat.
- Ne erőltesse be az akkumulátort. Ha az akkumulátor nem csúszik be könnyedén, akkor nem megfelelően lett behelyezve.

A kapcsoló használata

⚠ VIGYÁZAT:

- Mielőtt behelyezi az akkumulátort a szerszámba, mindig ellenőrizze, hogy a kioldókapcsoló hibátlanul működik és az "OFF" állásba áll felengedéskor.
- Huzamosabb használatkor a kapcsoló az "ON" pozícióban elreteszeltető a kezelő munkáját megkönnyítendő. Legyen nagyon körültekintő, amikor a szerszámot elreteszeli az "ON" pozícióban és szilárdan tartsa a szerszámot.

► **Ábra2:** 1. Kioldókapcsoló 2. Zárgomb

A szerszám bekapcsolásához egyszerűen húzza meg a kioldókapcsolót. A szerszám fordulatszáma emelkedik, ahogy egyre jobban húzza a kioldókapcsolót. A leállítás-hoz engedje fel a kioldókapcsolót.

A folyamatos működéshez húzza meg a kioldókapcsolót, majd nyomja be a reteszelőgombot, aztán engedje fel a kioldókapcsolót.

A szerszám kikapcsolásához reteszelt állásból teljesen húzza be a kioldókapcsolót, majd engedje fel.

MEGJEGYZÉS:

- Bekapcsolt állapotban és járó motor mellett a betét nem forog. Nyomja előre a szerszámot a tengelykapcsoló bekapcsolásához.
- A szerszám automatikusan megáll, ha a motor tovább forog kb. 6 perccig.

Nyomásra aktiválódó hajtás üzemmód

► **Ábra3:** 1. Gomb 2. Üzem mód jelzőfénye

A szerszám nyomásra aktiválódó hajtás üzemmóddal rendelkezik. Ebben az üzemmódban a szerszám lekapcsolja a motor tápellátását, hogy használaton kívül energiát takarítson meg az akkumulátor számára.

A nyomásra aktiválódó hajtás üzemmód kiválasztásához húzza meg kissé a kioldókapcsolót, majd engedje el és gyorsan nyomja be a gombot. Az üzemmód jelzőfénye kigyullad.

Ha a nyomásra aktiválódó hajtás aktív, húzza meg a kioldókapcsolót, majd nyomja be a reteszelő gombot. Nyomja be a betétet, és a motor forgása elindul. A további nyomásra bekapcsol a tengelykapcsoló, és a betét is elkezd forogni. A nyomásra aktiválódó hajtás üzemmódban a motor és a hajtóbetét csak nyomás hatására forog.

MEGJEGYZÉS:

- Ha a szerszám kb. 8 órán át nem működik nyomásra aktiválódó hajtás üzemmódban reteszelt kioldókapcsoló mellett, a szerszám leáll. Ilyen esetben engedje fel és húzza meg ismét a kioldókapcsolót az újraindításhoz.

A lámpa felkapcsolása

► **Ábra4:** 1. Lámpa 2. Gomb

A lámpa bekapcsolásához kissé húzza meg a kioldókapcsolót, engedje el, majd nyomja meg a gombot néhány másodpercre. A lámpa kigyullad. A lámpa a kioldókapcsoló elengedése után 10 másodperccel alszik ki. A lámpa ismételt bekapcsolásához kissé húzza meg a kioldókapcsolót.

Ahhoz, hogy a lámpa kikapcsolt állapotban maradjon, kissé húzza meg a kioldókapcsolót, majd engedje el. Ezután néhány másodperccig nyomja meg a gombot. A nyomásra aktiválódó hajtás üzemmódban a kioldókapcsoló reteszelt állapotban a lámpa kb. egy perc után elalszik a motor leállítását követően.

MEGJEGYZÉS:

- A kioldókapcsoló meghúzása közben a lámpa üzemmódja nem módosítható.
- Körülbelül 10 másodperccel a kioldókapcsoló felengedését követően módosítható a lámpa üzemmódja.
- Használjon száraz rongyot a lámpa lencséin lévő szennyeződés eltávolításához. Ügyeljen arra hogy ne karcolja meg a lámpa lencséit, ez csökkentheti a megvilágítás erősségét.

A fennmaradó akkumulátortöltöttség jelzése

Országfüggetlen

► **Ábra5:** 1. Akkumulátortöltöttség-jelző

Ha meghúzza a kioldókapcsolót, az akkumulátor jelzőfénye az akkumulátor fennmaradt töltöttségét jelzi.

A fennmaradó akkumulátortöltöttség az alábbi táblázatban található vázoltak szerint jelenik meg.

Akkumulátor jelzőfényének állapota ■:BE □:KI ■:Villogó lámpa	Hátralévő akkumulátor-kapacitás
	50 % - 100 %
	20 % - 50 %
	0 % - 20 %
	Töltse fel az akkumulátort

MEGJEGYZÉS:

- A motor leállása után kb. egy perccel a jelzőfény elalszik, hogy energiát takarítson meg az akkumulátor számára. Az akkumulátor fennmaradt töltöttségének ellenőrzéséhez óvatosan húzza meg a kioldókapcsolót.

Szerszám-/akkumulátorvédő rendszer

A szerszám szerszám-/akkumulátorvédő rendszerrel van felszerelve. A rendszer automatikusan kikapcsolja a motor áramellátását, így megnöveli a szerszám és az akkumulátor élettartamát.

A szerszám használat közben automatikusan leáll, ha a szerszám vagy az akkumulátor a következő állapotba kerül. Bizonyos állapotokban a jelzőfény világitani kezd.

Túlterhelésvédelem

Ha a szerszámot úgy használják, hogy az rendellenesen nagy áramot vesz fel, akkor a szerszám mindenfajta jelzés nélkül leáll. Ilyenkor kapcsolja ki a szerszámot, és hagyjon fel azzal a használati móddal, amely a szerszám túlterhelődéséhez vezetett. Ezután kapcsolja be a szerszámot a munka újbóli megkezdéséhez.

Szerszám-túlmelegedés elleni védelem

A szerszám túlhevülés esetén automatikusan leáll, az akkumulátor-visszajelző pedig az alábbi állapotot mutatja. Ilyenkor hagyja kihűlni a szerszámot, mielőtt ismét bekapcsolná.

Akkumulátortöltöttség-jelző	■:BE □:KI □:Villogó lámpa
	A szerszám túlhevült

Az akkumulátor töltöttségének jelzése

Csak állapotjelzős akkumulátorok esetén

► **Ábra6:** 1. Jelzőlámpák 2. Check (ellenőrzés) gomb

Nyomja meg az ellenőrzőgombot, hogy az akkumulátortöltöttség-jelző megmutassa a hátralévő akkumulátor-kapacitást. Ekkor a töltöttségintenzitáslámpák néhány másodpercre kigyulladnak.

Jelzőlámpák			Töltöttségi szint
Világító lámpa	KI	Villogó lámpa	
■ ■ ■ ■	□ □ □ □	■ ■ ■ ■	75%-tól 100%-ig
■ ■ ■ ■	□ □ □ □	■ ■ ■ ■	50%-tól 75%-ig
■ ■ ■ ■	□ □ □ □	■ ■ ■ ■	25%-tól 50%-ig
■ ■ ■ ■	□ □ □ □	■ ■ ■ ■	0%-tól 25%-ig
■ ■ ■ ■	□ □ □ □	■ ■ ■ ■	Töltse fel az akkumulátort.
■ ■ ■ ■	□ □ □ □	■ ■ ■ ■	Lehetséges, hogy az akkumulátor meghibásodott.

MEGJEGYZÉS: Az adott munkafeltételektől és a környezet hőmérsékletétől függően a jelzett töltöttségi szint némileg eltérhet a tényleges töltöttségi szinttől.

Forgásirányváltó kapcsoló használata

▲ VIGYÁZAT:

- A bekapcsolás előtt mindig ellenőrizze a beállított forgásirányt.
- Az irányváltó kapcsolót csak azután használja, hogy a szerszám teljesen megállt. A forgásirány megváltoztatása még azelőtt, hogy a szerszám leállt volna, a gép károsodását okozhatja.

► **Ábra7:** 1. Forgásirányváltó kapcsolókar

Ez a szerszám irányváltó kapcsolóval van felszerelve a forgásirány megváltoztatásához. Mozgassa az irányváltó kart a ← pozícióba (A oldal) az óramutató járásával megegyező vagy a → pozícióba (B oldal) az azzal ellentétes irányú forgáshoz.

Amikor az irányváltó kapcsolókar neutrális pozícióban van, akkor a kioldókapcsolót nem lehet behúzni.

▲ VIGYÁZAT: Amikor nem működte a szerszámot, az irányváltó kapcsolót mindig állítsa a neutrális állásba.

Mélységbeállítás

► Ábra8: 1. Rögzítőpecek

A mélység a rögzítő elfordításával állítható. Forgassa azt a „B” irányba a kisebb mélység, illetve „A” irányba a nagyobb mélység beállításához. A rögzítő 1 teljes fordulata 2 mm mélységváltozásnak felel meg.

► Ábra9: 1. Rögzítőpecek

Állítsa be a rögzítőt úgy, hogy a rögzítő hegye és a csavar feje között körülbelül 3 mm legyen, amint az az ábrákon is látható. Csavarjon be egy próbacsavart az anyagba, vagy egy azonos anyagból készült próbadarabba. Ha a mélység még mindig nem megfelelő a csavarhoz, folytassa a beállítást addig, amíg el nem éri a kívánt mélységbeállítást.

Akasztó

▲ VIGYÁZAT:

- Mindig vegye ki az akkumulátort a gépből, amikor felakasztja azt az akasztóval.
- Soha ne akassza a szerszámot magas helyekre vagy nem teljesen stabil felületekre.

► Ábra10: 1. Övtartó

Az akasztó a szerszám ideiglenes felakasztására használható.

ÖSSZESZERELÉS

▲ VIGYÁZAT:

- Minden esetben ellenőrizze, hogy a szerszám ki van kapcsolva és az akkumulátor eltávolításra került mielőtt bármilyen műveletet végez a szerszámon.

A vésőszerszám berakása vagy eltávolítása

► Ábra11: 1. Rögzítőpecek

A betét kivételéhez húzza meg a rögzítőt. Ezután marcolja meg a betétet egy fogóval és húzza ki a betétet a mágneses betét tartóból. Néha segít, ha a betétet kihúzás közben a fogóval ide-oda mozgatja.

► Ábra12: 1. Rögzítőpecek 2. Betét 3. Mágneses betéttartó

A betét behelyezéséhez nyomja azt a mágneses betét tartóba. Ezután szerelje vissza a rögzítőt, erősen visszanyomva azt a helyére.

Akasztó

► Ábra13: 1. Horony 2. Övtartó 3. Csavar

Az akasztó a szerszám ideiglenes felakasztására használható. Ez a szerszám mindkét oldalára felszerelhető. Az akasztó felszereléséhez helyezze azt a szerszám burkolatán található vátatba bármelyik oldalon, majd rögzítse egy csavarral. Az eltávolításához csavarja ki a csavart és vegye ki az akasztót.

ÜZEMELTETÉS

Csavarbehajtás

► Ábra14

Illesse a csavart a betét hegyére és helyezze a csavar hegyét a rögzíteni kívánt munkadarab felületére. Fejtsen ki nyomást a szerszámmra és indítsa be. Húzza vissza a szerszámot, amint a tengelykapcsoló szétkapcsol. Ezután engedje fel kioldókapcsolót.

▲ VIGYÁZAT:

- Amikor a csavart a betét hegyére illeszti, legyen óvatos, nehogy benyomja a hegyet a csavarfejebe. Ha benyomja azt a csavarfejebe, akkor a tengelykapcsoló összekapcsolódik és a csavar hirtelen forogni kezd. Ez károsíthatja a munkadarabot vagy sérülésekhez vezethet.
- Ellenőrizze, hogy a csavarhúzóbetét egyenesen lett behelyezve a csavarfejebe, mert ellenkező esetben a csavar és/vagy a betét károsodhat.

KARBANTARTÁS

▲ VIGYÁZAT:

- Minden esetben ellenőrizze, hogy a szerszám ki van kapcsolva és az akkumulátor eltávolításra került mielőtt átvizsgálja a szerszámot vagy annak karbantartását végzi.
- Soha ne használjon gázolajt, benzint, hígítót, alkoholt vagy hasonló anyagokat. Ezek elszineződést, alakvesztést vagy repedést okozhatnak.

A termék BIZTONSÁGÁNAK és MEGBÍZHATÓSÁGÁNAK fenntartásához, a javításokat, a szénkéfék ellenőrzését és cseréjét, bármilyen egyéb karbantartást vagy beszbabályozást a Makita Autorizált Szervizközpontoknak kell végrehajtaniuk, mindig Makita pótalkatrészek használatával.

OPCIONÁLIS KIEGÉSZÍTŐK

▲ VIGYÁZAT:

- Ezek a tartozékok vagy kellekek ajánlottak az Önnek ebben a kézikönyvben leírt Makita szerszámához. Bármely más tartozék vagy kellék használata személyes veszélyt vagy sérülést jelenthet. A tartozékot vagy kelleket használja csupán annak kifejezett rendeltetésére.

Ha bármilyen segítségre vagy további információkra van szüksége ezekkel a tartozékokkal kapcsolatban, keresse fel a helyi Makita Szervizközpontot.

- Phillips betétek
- Mágneses betéttartó
- Eredeti Makita akkumulátor és töltő
- Műanyag szállítódoboz

MEGJEGYZÉS: A listán felsorolt néhány kiegészítő megtalálható az eszköz csomagolásában standard kiegészítőként. Ezek országonként eltérőek lehetnek.

TECHNICKÉ ÚDAJE

Model		DFS452
Výkony	Samorezná skrutka	6 mm
	Skrutka do sadrokartónu	5 mm
Otáčky naprázdno		0 - 4000 min ⁻¹
Celková dĺžka	S krátkym nastavovacím prvkom	235 mm
	S dlhým nastavovacím prvkom	251 mm
Hmotnosť netto		1,5 - 1,8 kg
Menovité napätie		Jednosmerný prúd 18 V

- Vzhľadom k neustálemu výskumu a vývoju podliehajú technické údaje uvedené v tomto dokumente zmenám bez upozornenia.
- Technické údaje sa môžu pre rôzne krajiny líšiť.
- Hmotnosť sa môže líšiť v závislosti od nastavcov vrátane akumulátora. Najľahšia a najťažšia kombinácia v súlade s postupom EPTA 01/2014 je uvedená v tabuľke.

Použiteľné akumulátory a nabíjačky

Akumulátor	BL1815N / BL1820 / BL1820B / BL1830 / BL1830B / BL1840 / BL1840B / BL1850 / BL1850B / BL1860B
Nabíjačka	DC18RC / DC18RD / DC18RE / DC18SD / DC18SE / DC18SF

- Niektoré vyššie uvedené akumulátory a nabíjačky môžu byť nedostupné v závislosti od miesta vášho bydliska.

VAROVANIE: Používajte iba akumulátory a nabíjačky zo zoznamu uvedeného vyššie. Používanie akýchkoľvek iných akumulátorov a nabíjačiek môže spôsobiť zranenie a/alebo požiar.

Určené použitie

Tento nástroj je určený na zaskrutkovanie skrutiek do dreva, kovu a plastu.

Hluk

Typická hladina akustického tlaku pri záťaži A určená podľa EN62841:

Hladina akustického tlaku (L_{pA}): 72 dB (A)

Odchýlka (K) : 3 dB (A)

Úroveň hluku pri práci môže prekročiť 80 dB (A).

Používajte chrániče sluchu

Vibrácie

Celková hodnota vibrácií (trojosový vektorový súčet) určená podľa normy EN62841:

Pracovný režim: skrutkovanie bez príklepu

Emisie vibrácií (a_{h1}): 2,5 m/s² alebo menej

Odchýlka (K): 1,5 m/s²

POZNÁMKA: Deklarovaná hodnota emisií vibrácií bola meraná podľa štandardnej skúšobnej metódy a môže sa použiť na porovnanie jedného náradia s druhým.

POZNÁMKA: Deklarovaná hodnota emisií vibrácií sa môže použiť aj na predbežné posúdenie vystavenia účinkom.

VAROVANIE: Emisie vibrácií počas skutočného používania elektrického náradia sa môžu odlišovať od deklarovanej hodnoty emisií vibrácií, a to v závislosti na spôsoboch používania náradia.

VAROVANIE: Nezabudnite označiť bezpečnostné opatrenia s cieľom chrániť obsluhu, a to tie, ktoré sa zakladajú na odhade vystavenia účinkom v rámci reálnych podmienok používania (berúc do úvahy všetky súčasti prevádzkového cyklu, ako sú doby, kedy je náradie vypnuté a kedy beží bez zaťaženia, ako dodatok k dobe zapnutia).

Vyhľadanie o zhode ES

Len pre krajiny Európy

Vyhľadanie o zhode ES sa nachádza v prílohe A tohto návodu na obsluhu.

Všeobecné bezpečnostné predpisy pre elektrické nástroje

VAROVANIE: Preštudujte si všetky bezpečnostné varovania, pokyny, vyobrazenia a technické špecifikácie určené pre tento elektrický nástroj. Pri nedodržaní všetkých nižšie uvedených pokynov môže dôjsť k úrazu elektrickým prúdom, požiaru alebo vážnemu zraneniu.

Všetky výstrahy a pokyny si odložte pre prípad potreby v budúcnosti.

Pojem „elektrický nástroj“ sa vo výstrahách vzťahuje na elektricky napájané elektrické nástroje (s káblom) alebo batériu napájané elektrické nástroje (bez kábla).

Bezpečnostné varovania pre akumulátorový skrutkovač

1. Pri práci, keď sa upínací prvok môže dostať do kontaktu so skrytým vedením, držte elektrické nástroje len za izolované úchopné povrchy. Upínací prvok, ktorý sa dostane do kontaktu so „živým“ vodičom môže spôsobiť vystavenie kovových častí elektrického náradia „živému“ prúdu a spôsobiť tak obsluhu zasiahnutie elektrickým prúdom.
2. Vždy dbajte na pevný postoj. Ak pracujete vo výškach, dbajte na to, aby pod vami nikto nebol.
3. Náradie držte pevne.
4. Nepribližujte ruky k otáčajúcim sa častiam.
5. Nedotýkajte sa nástavca alebo obrobku hneď po úkone; môžu byť extrémne horúce a môžu popáliť vašu pokožku.
6. Obrobok vždy upínajte do zveráka či do podobného upevňovacieho zariadenia.

TIETO POKYNY USCHOVAJTE.

VAROVANIE: NIKDY nepripustíte, aby seba-vedomie a dobrá znalosť výrobku (získané opakovaným používaním) nahradili presné dodržiavanie bezpečnostných pravidiel pre náradie.

NESPRÁVNE POUŽÍVANIE alebo nedodržiavanie bezpečnostných zásad uvedených v tomto návode môže viesť k vážnemu zraneniu.

Dôležité bezpečnostné a prevádzkové pokyny pre akumulátor

1. Pred použitím akumulátora si prečítajte všetky pokyny a výstražné označenia na (1) nabíjačke akumulátorov, (2) akumulátore a (3) produkte používajúcom akumulátor.
2. Akumulátor nerozoberajte.
3. Ak sa doba prevádzky príliš skráti, ihneď prerušte prácu. Môže nastať riziko prehriatia, možných popálením či dokonca explózie.
4. V prípade zasiahnutia očí elektrolytom ich vypláchnite čistou vodou a okamžite vyhľadajte lekársku pomoc. Môže dôjsť k strate zraku.
5. Akumulátor neskratujte:
 - (1) Nedotýkajte sa konektorov žiadnym vodičným materiálom.
 - (2) Neskladujte akumulátor v obale s inými kovovými predmetmi, napríklad klincami, mincami a pod.
 - (3) Akumulátor nevystavujte vode ani dažďu.

Skrat akumulátora môže spôsobiť veľký tok prúdu, prehriate, možné popáleniny či dokonca poruchu.

6. Neskladujte nástroj ani akumulátor na miestach s teplotou presahujúcou 50 °C (122 °F).
7. Akumulátor nespálujte, ani keď je vážne poškodený alebo úplne opotrebovaný. Akumulátor môže v ohni explodovať.
8. Dávajte pozor, aby akumulátor nespadol, a nevystavujte ho nárazom.
9. Nepoužívajte poškodený akumulátor.
10. Litium-iónové akumulátory, ktoré sú súčasťou náradia, podliehajú požiadavkám legislatívy o nebezpečnom tovare.

V prípade obchodnej prepravy, napr. dodanie tretími stranami či špeditériami, sa musia dodržiavať špeciálne požiadavky na zabalenie a označenie. Pred prípravou položky na odoslanie sa vyžaduje konzultácia s odborníkom na nebezpečný materiál. Taktiež treba dodržiavať potenciálne podrobnejšie predpisy príslušnej krajiny. Prelepte alebo zakryte otvorené kontakty a zabaľte akumulátor tak, aby sa v balíku nemohol voľne pohybovať.
11. Akumulátor zlikvidujte v súlade s miestnymi nariadeniami.
12. Akumulátory používajte iba s výrobkami uvedenými spoločnosťou Makita. Inštalácia akumulátorov do nevyhovujúcich výrobkov môže spôsobiť požiar, nadmerné teplo, výbuch alebo únik elektrolytov.

TIETO POKYNY USCHOVAJTE.

POZOR: Používajte len originálne akumulátory od spoločnosti Makita. Používanie batérií, ktoré nie sú od spoločnosti Makita, alebo upravených batérií môže spôsobiť výbuch batérie a následný požiar, zranenie osôb alebo poškodeniu majetku. Následkom bude aj zrušenie záruky od spoločnosti Makita na nástroj a nabíjačku od spoločnosti Makita.

Rady na udržanie maximálnej životnosti akumulátora

1. Akumulátor nabíjate ešte predtým, ako sa úplne vybije. Vždy prerušte prácu s nástrojom a nabíjate akumulátor, keď spozorujete nižší výkon nástroja.
2. Nikdy nenabíjate plne nabitý akumulátor. Prebíjanie skracuje životnosť akumulátora.
3. Akumulátor nabíjajte pri izbovej teplote 10 °C – 40 °C (50 °F – 104 °F). Pred nabíjaním nechajte horúci akumulátor vychladnúť.
4. Litium-iónový akumulátor nabíjate, ak ste ho nepoužívali dlhšie ako šesť mesiacov.

POPIS FUNKCIE

▲ POZOR:

- Pred úpravou alebo kontrolou funkčnosti nástroja vždy skontrolujte, či je nástroj vypnutý a blok akumulátora je vybratý.

Inštalácia alebo demontáž kazety akumulátora

- **Obr.1:** 1. Červený indikátor 2. Tlačidlo 3. Kazeta akumulátora

▲ POZOR:

- Pred inštaláciou alebo vybratím akumulátora náradie vždy vypnite.
- **Pri vkladaní alebo vyberaní akumulátora uchopte pevne náradie aj akumulátor.** Opomenutie pevne uchopiť náradie a akumulátor môže mať za následok ich vyšmyknutie z rúk s dôsledkom poškodenia náradia a batérie, ako aj osobných poranení.

Ak chcete vybrať akumulátor, vysuňte ho zo zariadenia, pričom posuňte tlačidlo na prednej strane akumulátora. Akumulátor vložíte tak, že jazyk akumulátora nasmerujete na ryhu v kryte a zasuniete ju na miesto. Zatlačte ho úplne, kým zakliknutím nezapadne na miesto. Ak vidíte červený indikátor na hornej strane tlačidla, nie je správne zapadnutý.

▲ POZOR:

- Akumulátor vždy nainštalujte úplne, až kým nie je vidieť červený indikátor. V opačnom prípade môže náhodne vypadnúť z náradia a ublížiť vám alebo osobám v okolí.
- Pri inštalovaní jednotky akumulátora nepoužívajte silu. Ak sa jednotka nedá zasunúť ľahko, nekladáte ju správne.

Zapínanie

▲ POZOR:

- Pred vložením bloku akumulátora do nástroja sa vždy presvedčite, či vypínač funguje správne a po uvoľnení sa vráti do pozície "OFF".
- Operátor môže počas dlhšieho používania zablokovať prepínač v polohe "ON", čo mu uľahčí prácu. Pri blokovaní nástroja v polohe "ON" buďte opatrní a nástroj pevne držte.

- **Obr.2:** 1. Spínač 2. Blokovacie tlačidlo

Ak chcete náradie spustiť, jednoducho potiahnite vypínač. Otáčky náradia sa zvyšujú zvyšovaním tlaku na vypínač. Náradie zastavíte uvoľnením vypínača. Ak chcete náradie používať nepretržite, potiahnite vypínač, zatlačte poistné tlačidlo a vypínač uvoľnite. Ak chcete náradie zastaviť zo zablokovanej polohy, úplne potiahnite vypínač a uvoľnite ho.

POZNÁMKA:

- Aj ak je vypínač aktivovaný a motor beží, hrot sa neotáča. Zatlačením náradia dopredu vyradíte spojku.
- Ak motor bude bežať asi 6 minút, náradie sa automaticky zastaví.

Režim pohonu pri zatlačení

- **Obr.3:** 1. Tlačidlo 2. Indikátor režimu

Tooto náradie je vybavené režimom pohonu pri zatlačení. Náradie pri používaní tohto režimu vypne v režime voľnobehu napájanie motora s cieľom šetriť napájanie akumulátorom.

Ak chcete zvoliť režim pohonu pri zatlačení, slabo potiahnite vypínač, uvoľnite ho a rýchlo stlačte tlačidlo. Následne sa rozsvieti indikátor režimu.

Po aktivovaní pohonu pri zatlačení potiahnite vypínač a potom stlačte poistné tlačidlo. Po vyvinutí tlaku na hrot sa motor spustí. Ďalším tlačením sa zaradí spojka a hrot sa začne otáčať. V režime pohonu pri zatlačení sa motor spustí a hrot sa bude otáčať len pri vyvíjaní tlaku.

POZNÁMKA:

- Ak náradie nespustíte asi 8 hodín v režime pohonu pri zatlačení so zaisteným vypínačom, náradie sa vypne. V takom prípade náradie znova spustíte uvoľnením a opätovným potiahnutím vypínača.

Zapnutie kontrolky

- **Obr.4:** 1. Svetlo 2. Tlačidlo

Ak chcete zapnúť svetlo, slabo potiahnite vypínač, uvoľnite ho a potom na niekoľko sekúnd stlačte tlačidlo. Svetlo sa rozsvieti. Svetlo zhasne asi 10 sekúnd po uvoľnení vypínača. Ak chcete svetlo znova zapnúť, znova slabo potiahnite vypínač.

Ak chcete ponechať svetlo zapnuté, slabo potiahnite vypínač a uvoľnite ho. Potom na niekoľko sekúnd stlačte tlačidlo.

V režime pohonu pri zatlačení so zaisteným vypínačom bude svetlo svietiť ešte asi jednu minútu po zastavení motora.

POZNÁMKA:

- Počas ťahania vypínača nie je možné režim svetla zmeniť.
- Asi o 10 sekúnd po uvoľnení vypínača je možné režim svetla zmeniť.
- Na utretie nečistôt z šošovky svetla používajte suchú handričku. Dávajte pozor, aby ste šošovku svetla nepoškabali, môže sa tým zmenšiť jeho svietivosť.

Indikácia zostávajúcej kapacity akumulátora

Špecifické pre konkrétnu krajinu

- **Obr.5:** 1. Indikátor akumulátora

Ak potiahnete vypínač, indikátor akumulátora zobrazí zostávajúcu kapacitu akumulátora. Zostávajúca kapacita akumulátora je zobrazená v nasledujúcej tabuľke.

Stav indikátora akumulátora	Zostávajúca kapacita akumulátora
 ■ : Zapnuté □ : Vypnuté ◐ : Bliká	
	50 % - 100 %
	20 % - 50 %
	0 % - 20 %
	Akumulátor nabite

POZNÁMKA:

- Asi jednu minútu po zastavení motora indikátory kvôli šetreniu napájania akumulátorom zhasnú. Ak chcete skontrolovať zostávajúcu kapacitu akumulátora, slabo potiahnite vypínač.

Systém na ochranu náradia / akumulátora

Náradie je vybavené systémom ochrany náradia / akumulátora. Tento systém automaticky vypne napájanie motora s cieľom predĺžiť životnosť náradia a akumulátora.

Náradie sa počas prevádzky automaticky zastaví v prípade, ak náradie alebo akumulátor sú v rámci nasledovných podmienok. Indikátor sa v prípade niektorých podmienok rozsvieti.

Ochrana proti preťaženiu

Keď je náradie prevádzkované spôsobom, ktoré spôsobuje nadmerný odber prúdu náradím, náradie sa bez upozornenia automaticky vypne. V tejto situácii vypnite náradie a ukončíte aplikáciu, ktorá spôsobuje preťažovanie náradia. Potom náradie zapnutím znova spustíte.

Ochrana náradia pred prehrievaním

Keď sa prístroj prehrieva, prístroj sa automaticky zastaví a indikátor akumulátora bude indikovať nasledovný stav. V tejto situácii nechajte prístroj pred jeho opätovným spustením vychladnúť.

Indikátor akumulátora	■ : Zapnuté	□ : Vypnuté	◐ : Bliká
	Došlo k prehriatiu náradia		

Indikácia zvyšnej kapacity akumulátora

Len na akumulátory s indikátorom

► **Obr.6:** 1. Indikátory 2. Tlačidlo kontroly

Stlačením tlačidla kontroly na akumulátore zobrazíte zostávajúcu kapacitu akumulátora. Indikátory sa na niekoľko sekúnd rozsvietia.

Indikátory			Zostávajúca kapacita
■ Svieti	□ Nesvieti	◐ Bliká	
■ ■ ■ ■			75 % až 100 %
■ ■ ■ □			50 % až 75 %
■ ■ □ □			25 % až 50 %
■ □ □ □			0 % až 25 %
◐ □ □ □			Akumulátor nabite.
■ ■ □ □		◐ □ □ □	Akumulátor je možno chybný.
□ □ ■ ■			

POZNÁMKA: V závislosti od podmienok používania a v závislosti od okolitej teploty sa môže zobrazenie mierne odlišovať od skutočnej kapacity.

Prepínanie smeru otáčania

⚠ POZOR:

- Pred začatím činnosti vždy skontrolujte smer otáčania.
- Vratný prepínač používajte len po úplnom zastavení nástroja. Pri zmene smeru otáčania pred úplným zastavením by sa mohol nástroj poškodiť.

► **Obr.7:** 1. Prepínacia páčka smeru otáčania

Tento nástroj má vratný prepínač na zmenu smeru otáčania. Zatláčte páčku vratného prepínača do polohy ⇐ (strana A) pre otáčanie v smere pohybu hodinových ručičiek alebo do polohy ⇒ (strana B) pre otáčanie proti smeru pohybu hodinových ručičiek. Keď je páčka vratného prepínača v neutrálnej polohe, spúšťač prepínača sa nedá potiahnuť.

⚠ POZOR:

Keď nástroj nepoužívate, páčku vratného prepínača vždy prepnite do neutrálnej polohy.

Prispôsobenie hĺbky

► **Obr.8:** 1. Nastavovací prvok

Hĺbku je možné nastaviť otáčaním nastavovacieho prvku. Otočenie v smere „B“ zmenší hĺbku a v smere „A“ zväčší hĺbku. Jedno celé otočenie nastavovacieho prvku sa rovná zmene hĺbky o 2 mm.

► **Obr.9:** 1. Nastavovací prvok

Nastavte nastavovací prvok tak, aby vzdialenosť medzi hrotom nastavovacieho prvku a hlavou skrutky bol približne 3 mm, ako vidno na obrázkoch. Do vášho materiálu alebo kúska rovnakého materiálu zaskrutkujte skúšobnú skrutku. Ak je hĺbka nedostatočná pre skrutku, nastavujte ďalej, kým nedosiahnete správne nastavenie hĺbky.

Hák

▲POZOR:

- Ak chcete náradie zavesiť pomocou háka, vždy z neho vyberte akumulátor.
- Nikdy nezaveste nástroj hákom do vysokej polohy alebo na potenciálne nestabilný povrch.

► **Obr.10:** 1. Hák

Hák je vhodný na dočasné zavesenie nástroja.

MONTÁŽ

▲POZOR:

- Pred vykonaním akejkoľvek práce na nástroji vždy skontrolujte, či je nástroj vypnutý a kazeta akumulátora je vybratá.

Montáž alebo demontáž vrtáka

► **Obr.11:** 1. Nastavovací prvok

Ak chcete vybrať vrták, potiahnite nastavovací prvok. Potom uchopíte vrták kliešťami a vytiahnite ho z magnetického držiaka vrtákov. Niekedy pomôže krútiť vrtákom pomocou klieští pri ťahaní.

► **Obr.12:** 1. Nastavovací prvok 2. Vrták
3. Magnetický držiak vrtáka

Ak chcete nasadiť vrták, silne ho zastrčte do magnetického držiaka vrtákov. Potom nasadíte nastavovací prvok silným zatlačením dozadu.

Hák

► **Obr.13:** 1. Drážka 2. Hák 3. Skrutka

Hák je vhodný na dočasné zavesenie nástroja. Môže sa namontovať na ktorúkoľvek stranu nástroja.

Hák namontujete tak, že ho vložíte do ryhy na puzdre nástroja na ktorejkoľvek strane a potom ho zaistíte skrutkou. Vyberiete ho uvoľnením skrutky.

PRÁCA

Skutkovanie

► **Obr.14**

Nasadíte skrutku na hrot vrtáka a hrot skrutky priložíte na povrch obrobku, ktorý sa má upevniť. Prítlačte na nástroj a spustíte ho. Nástroj vytiahnite hneď, ako sa vyradí spojka.

▲POZOR:

- Pri pripevňovaní skrutky na hrot vrtáka dávajte pozor, aby ste nezatlačili na skrutku. Ak na ňu zatlačíte, spojka sa aktivuje a skrutka sa náhle roztočí. To môže zapríčiniť poškodenie obrobku alebo spôsobiť zranenie.
- Skontrolujte, či je vrták vsunutý priamo v hlavu skrutky, v opačnom prípade sa môže skrutka a/alebo skrutkovač poškodiť.

ÚDRŽBA

▲POZOR:

- Pred vykonaním kontroly alebo údržby vždy skontrolujte, či je nástroj vypnutý a blok akumulátora je vybratý.
- Nepoužívajte benzín, riedidlo, alkohol ani nič podobné. Mohlo by to spôsobiť zmenu farby, deformácie alebo praskliny.

Kvôli zachovaniu BEZPEČNOSTI a SPOLAHLIVOSTI výrobku musia byť opravy, kontrola a výmena uhlíkov a akákoľvek ďalšia údržba či nastavovanie robené autorizovanými servisnými strediskami firmy Makita a s použitím náhradných dielov Makita.

VOLITEĽNÉ PRÍSLUŠENSTVO

▲POZOR:

- Pre váš nástroj Makita, opísaný v tomto návode, doporučujeme používať toto príslušenstvo a nástavce. Pri použití iného príslušenstva či nástavcov môže hroziť nebezpečenstvo zranenia osôb. Príslušenstvo a nástavce sa môžu používať len na účely pre ne stanovené.

Ak potrebujete bližšie informácie týkajúce sa tohoto príslušenstva, obráťte sa na vaše miestne servisné stredisko firmy Makita.

- Skrutkovacie hroty Phillips
- Magnetický držiak vrtáka
- Originálna batéria a nabíjačka Makita
- Plastový kufřík

POZNÁMKA: Niektoré položky zo zoznamu môžu byť súčasťou balenia náradia vo forme štandardného príslušenstva. Rozsah týchto položiek môže byť v každej krajine odlišný.

TECHNICKÉ ÚDAJE

Model		DFS452
Výkony	Samovrtný šroub	6 mm
	Vrut do sádkartonu	5 mm
Otáčky bez zatížení		0 - 4 000 min ⁻¹
Celková délka	S dlouhým lokátorem	235 mm
	S krátkým lokátorem	251 mm
Hmotnost netto		1,5 - 1,8 kg
Jmenovité napětí		18 V DC

- Vzhledem k neustálému výzkumu a vývoji zde uvedené technické údaje podléhají změnám bez upozornění.
- Specifikace se mohou pro různé země lišit.
- Hmotnost se může lišit v závislosti na nástavcích a přídatných zařízeních, včetně akumulátoru. Nejlehčí a nejtěžší kombinace, dle EPTA-Procedure 01/2014, jsou uvedeny v tabulce níže.

Použitelný akumulátor a nabíječka

Akumulátor	BL1815N / BL1820 / BL1820B / BL1830 / BL1830B / BL1840 / BL1840B / BL1850 / BL1850B / BL1860B
Nabíječka	DC18RC / DC18RD / DC18RE / DC18SD / DC18SE / DC18SF

- V závislosti na regionu vašeho bydliště nemusí být některé akumulátory a nabíječky k dispozici.

VAROVÁNÍ: Používejte pouze výše uvedené akumulátory a nabíječky. Použití jiných akumulátorů a nabíječek může způsobit zranění a/nebo požár.

Určení nástroje

Nástroj je určen ke šroubování do dřeva, kovů a plastů.

Hlučnost

Typická vážená hladina hluku (A) určená podle normy EN62841:

Hladina akustického tlaku (L_{pA}): 72 dB (A)

Nejistota (K): 3 dB (A)

Hladina hluku při práci může překročit hodnotu 80 dB (A).

Používejte ochranu sluchu

Vibrace

Celková hodnota vibrací (vektorový součet tří os) určená podle normy EN62841:

Pracovní režim: Šroubování bez ovlivňování

Emise vibrací (a_v): 2,5 m/s² nebo méně

Nejistota (K): 1,5 m/s²

POZNÁMKA: Deklarovaná hodnota emisí vibrací byla změřena v souladu se standardní testovací metodou a může být využita ke srovnávání nářadí mezi sebou.

POZNÁMKA: Deklarovanou hodnotu emisí vibrací lze rovněž využít k předběžnému posouzení vystavení jejich vlivu.

VAROVÁNÍ: Emise vibrací během skutečného používání elektrického nářadí se mohou od deklarované hodnoty emisí vibrací lišit v závislosti na způsobu použití nářadí.

VAROVÁNÍ: Na základě odhadu vystavení účinkům vibrací v aktuálních podmínkách zajistěte bezpečnostní opatření k ochraně obsluhy (vezměte v úvahu všechny části pracovního cyklu, mezi něž patří kromě doby pracovního nasazení i doba, kdy je nářadí vypnuto nebo pracuje ve volnoběhu).

Prohlášení ES o shodě

Pouze pro evropské země

Prohlášení ES o shodě je obsaženo v Příloze A tohoto návodu k obsluze.

Obecná bezpečnostní upozornění k elektrickému nářadí

VAROVÁNÍ: Přečtěte si všechny bezpečnostní výstrahy i pokyny a prohlédněte si ilustrace a specifikace dodané k tomuto elektrickému nářadí. Nedodržení všech níže uvedených pokynů může vést k úrazu elektrickým proudem, požáru či vážnému zranění.

Všechna upozornění a pokyny si uschovejte pro budoucí potřebu.

Pojem „elektrické nářadí“ v upozorněních označuje elektrické nářadí, které se zapojuje do elektrické sítě, nebo elektrické nářadí využívající akumulátory.

Bezpečnostní varování k akumulátorovému šroubováku

1. Při práci v místech, kde může dojít ke kontaktu spojovacího prvku se skrytým elektrickým vedením, držte elektrické nářadí za izolované části držadel. Spojovací prvky mohou při kontaktu s vodičem pod napětím přenést proud do nechráněných částí nářadí a obsluha může utrpět úraz elektrickým proudem.
2. Vždy zaujměte stabilní postoj. Při práci s nářadím ve výškách dbejte, aby se pod vámi nepohybovaly žádné osoby.
3. Držte nářadí pevně.
4. Nepřibližujte ruce k otáčejícím se částem.
5. Nedotýkejte se bezprostředně po skončení práce nástroje ani obrobku. Mohou být velmi horké a mohou by způsobit popáleniny kůže.
6. Obrobek vždy upínejte do svěráku či do podobného upevňovacího zařízení.

TYTO POKYNY USCHOVEJTE.

VAROVÁNÍ: NEDOVLTE, aby pohodlnost nebo pocit znalosti výrobku (získaný na základě předchozího použití) vedl k zanedbání dodržování bezpečnostních pravidel platných pro tento výrobek.

NESPRÁVNÉ POUŽÍVÁNÍ či nedodržení bezpečnostních pravidel uvedených v tomto návodu k obsluze může způsobit vážné zranění.

Důležitá bezpečnostní upozornění pro akumulátor

1. Před použitím akumulátoru si přečtěte všechny pokyny a varovné symboly na (1) nabíječce, (2) akumulátoru a (3) výrobku využívajícím akumulátor.
2. Akumulátor nerozebírejte.
3. Pokud se příliš zkrátí provozní doba akumulátoru, přerušte okamžitě práci. V opačném případě existuje riziko přehřívání, popálení nebo dokonce výbuchu.
4. Budou-li vaše oči zasaženy elektrolytem, vypláchněte je čistou vodou a okamžitě vyhledejte lékařskou pomoc. Může dojít ke ztrátě zraku.
5. Akumulátor nezkratujte:
 - (1) Nedotýkejte se svorek žádným vodivým materiálem.
 - (2) Neskladujte akumulátor v nádobě s jinými kovovými předměty, jako jsou hřebíky, mince, apod.
 - (3) Nevystavuje akumulátor vodě a dešti.

Zkrat akumulátoru může způsobit velký průtok proudu, přehřátí, možné popálení a dokonce i poruchu.

6. Neskladujte nářadí a akumulátor na místech, kde může teplota překročit 50 °C (122 °F).
7. Nespalujte akumulátor, ani když je vážně poškozen nebo úplně opotřeben. Akumulátor může v ohni vybuchnout.
8. Dávejte pozor, abyste akumulátor neupustili ani s ním nenaráželi.
9. Nepoužívejte poškozené akumulátory.
10. Obsazené lithium-iontové akumulátory podléhají právním požadavkům na nebezpečné zboží.

V případě komerční přepravy například externími dopravci je třeba dodržet zvláštní požadavky na balení a značení.

Pro přípravu zboží k přepravě je nutná konzultace s odborníkem na nebezpečný materiál. Dodržujte také případné podrobnější národní předpisy. Odkryté kontakty přelepte izolační páskou či jinak zakryjte a akumulátory zabalte tak, aby se v balení nemohly pohybovat.
11. Při likvidaci akumulátoru postupujte podle místních předpisů.
12. Akumulátor používejte pouze s výrobky specifikovanými společností Makita. Instalace akumulátoru do nevyhovujících výrobků může způsobit požár, nadměrné zahřívání, explozi nebo únik elektrolytu.

TYTO POKYNY USCHOVEJTE.

UPOZORNĚNÍ: Používejte pouze originální akumulátory Makita. Používání neoriginálních nebo upravených akumulátorů může způsobit explozi akumulátoru a následný požár, zranění a jiné poškození. Zaniká tím také záruka společnosti Makita na nářadí a nabíječku Makita.

Tipy k zajištění maximální životnosti akumulátoru

1. Akumulátor nabíjete dříve, než dojde k jeho úplnému vybití. Pokud si povšimnete sníženého výkonu nářadí, vždy jej zastavte a dobijte akumulátor.
2. Nikdy nenabíjete úplně nabitý akumulátor. Přebíjení zkracuje životnost akumulátoru.
3. Akumulátor dobíjete při pokojové teplotě od 10 °C do 40 °C (50 °F až 104 °F). Před nabíjením nechejte horký akumulátor zchladnout.
4. Pokud se akumulátor delší dobu nepoužívá (déle než šest měsíců), je nutno jej dobít.

POPIS FUNKCE

⚠ UPOZORNĚNÍ:

- Před nastavováním nástroje nebo kontrolou jeho funkce se vždy přesvědčte, zda je nástroj vypnutý a je odpojen jeho akumulátor.

Instalace a demontáž akumulátoru

► **Obr.1:** 1. Červený indikátor 2. Tlačítko 3. Akumulátor

⚠ UPOZORNĚNÍ:

- Před nasazením či sejmutím bloku akumulátoru nářadí vždy vypněte.
- **Při nasazování či snímání bloku akumulátoru pevně držte nářadí i akumulátor.** V opačném případě vám mohou nářadí nebo akumulátor vyklouznout z ruky a mohlo by dojít k jejich poškození či ke zranění.

Jestliže chcete blok akumulátoru vyjmout, vysuňte jej se současným přesunutím tlačítka na přední straně akumulátoru. Při instalaci akumulátoru vyrovnejte jazýček na bloku akumulátoru s drážkou v krytu a zasuňte akumulátor na místo. Akumulátor zasuňte na doraz, až zacvakne na místo. Není-li tlačítko zcela zajištěno, uvidíte na jeho horní straně červený indikátor.

⚠ UPOZORNĚNÍ:

- Akumulátor zasunujte vždy zcela tak, aby nebyl červený indikátor vidět. Jinak by mohl akumulátor ze zařízení vypadnout a způsobit zranění obsluze či přihlížejícím osobám.
- Blok akumulátoru nenasazujte násilím. Nelze-li akumulátor zasunout snadno, nevkládejte jej správně.

Zapínání

⚠ UPOZORNĚNÍ:

- Před vložením akumulátoru do nástroje vždy zkontrolujte správnou funkci spouště a zda se po uvolnění vrací do vypnuté polohy.
- Spínač lze zablokovat v poloze zapnuto. Pracovníkovi se tak usnadňuje práce prováděná po delší dobu. Zajistíte-li nástroj v poloze zapnuto, postupujte se zvýšenou opatrností a neustále nástroj pevně držte.

► **Obr.2:** 1. Spínač 2. Blokovací tlačítko

Nářadí spustíte jednoduchým stisknutím spouště. Otáčky nářadí se zvyšují zvyšováním tlaku na spoušť. Vypnutí provedete uvolněním spouště. Pokud chcete pracovat nepřetržitě, stiskněte spoušť, potom aretační tlačítko a pak spoušť uvolněte. Jestliže chcete nářadí v aretované poloze vypnout, stiskněte zcela spoušť a zase ji uvolněte.

POZNÁMKA:

- Pracovní nástroj se neotáčí ani se zapnutým spínačem a spuštěným motorem. Zatlačte na nářadí vpřed, aby sepnula spojka.
- Pokud je motor v činnosti po dobu zhruba 6 minut, nářadí se automaticky vypne.

Režim spuštění přtlakem

► **Obr.3:** 1. Tlačítko 2. Indikátor režimu

Nářadí umožňuje práci v režimu spuštění přtlakem. K ušetření energie akumulátoru při nečinnosti se v tomto režimu vypne napájení motoru.

Režim spuštění přtlakem zapnete lehkým stisknutím spouště, jejím uvolněním a rychlým stisknutím tlačítka. Pak se rozsvítí indikátor režimu.

Po aktivaci spuštění přtlakem stiskněte spoušť a pak stiskněte aretační tlačítko. Zatlačte na pracovní nástroj a motor se spustí. Dalším přtlakem sepnou spojka a pracovní nástroj se začne otáčet. V režimu spuštění přtlakem se motor a šroubovací pracovní nástroj začnou otáčet pouze po přtlakení.

POZNÁMKA:

- Nebude-li nářadí přibližně 8 hodin spuštěno v režimu spuštění přtlakem s aretovanou spouští, vypne se. V takovém případě nářadí restartujte uvolněním a opětovným stisknutím spouště.

Rozsvícení světla

► **Obr.4:** 1. Světlo 2. Tlačítko

Chcete-li zapnout světlo, zlehka stiskněte spoušť, uvolněte ji a pak na několik sekund stiskněte tlačítko. Světlo se rozsvítí. Světlo zhasne přibližně za 10 sekund po uvolnění spouště. Jestliže chcete světlo znovu rozsvítit, znovu zlehka stiskněte spoušť.

Pokud chcete nechat světlo zhasnuté, zlehka stiskněte spoušť a zase ji uvolněte. Potom na několik sekund stiskněte tlačítko.

V režimu spuštění přtlakem s aretovanou spouští se světlo vypne přibližně minutu po vypnutí motoru.

POZNÁMKA:

- Se stisknutou spouští nelze režim světla měnit.
- Nastavení režimu světla lze změnit přibližně po 10 sekundách od uvolnění spouště.
- K otření nečistot z čočky světla používejte suchý hadřík. Dávejte pozor, abyste čočku světla nepoškrábali, může se tím zmenšit jeho svítivost.

Indikace zbývajících kapacity akumulátoru

Specifické podle země

► **Obr.5:** 1. Kontrolka akumulátoru

Po stisknutí spouště zobrazí indikátor akumulátoru zbývajících kapacitu akumulátoru.

Zbývajících kapacita akumulátoru se zobrazuje tak, jak je uvedeno v následující tabulce.

Stav indikátoru akumulátoru	Zbývající kapacita akumulátoru
	50 % - 100 %
	20 % - 50 %
	0 % - 20 %
	Nabijte akumulátor

POZNÁMKA:

- V rámci úspory energie indikátory asi minutu po vypnutí motoru zhasnou. Jestliže chcete zbývající kapacitu akumulátoru zkontrolovat, zlehka stiskněte spoušť.

Systém ochrany nářadí a akumulátoru

Nářadí je vybaveno systémem ochrany nářadí a akumulátoru. Tento systém automaticky přeruší napájení motoru, aby se prodloužila životnost nářadí a akumulátoru.

Budou-li nářadí nebo akumulátor vystaveny některé z níže uvedených podmínek, nářadí se během provozu automaticky vypne: Za určitých podmínek se rozsvítí indikátor.

Ochrana proti přetížení

Pokud se s nářadím pracuje způsobem vyvolávajícím mimořádně vysoký odběr proudu, nářadí se automaticky a bez jakékoli signalizace vypne. V takové situaci nářadí vypněte a ukončete činnost, při níž došlo k přetížení nářadí. Potom nářadí zapněte a obnovte činnost.

Ochrana nářadí proti přehřátí

Při přehřátí se nářadí automaticky vypne a indikátor akumulátoru zobrazí následující stav. V takovém případě nechte nářadí před opětovným zapnutím vychladnout.

Kontrolka akumulátoru	: ZAP	: VYP	: Bliká
	Nářadí se přehřálo		

Indikace zbývající kapacity akumulátoru

Pouze pro akumulátory s diodovým ukazatelem

► **Obr.6:** 1. Kontrolky 2. Tlačítko kontroly

Stisknutím tlačítka kontroly na akumulátoru zjistíte zbývající kapacitu akumulátoru. Kontrolky indikátoru se na několik sekund rozsvítí.

Kontrolky			Zbývající kapacita
Svítí	Nesvítil	Bliká	
			75 % až 100 %
			50 % až 75 %
			25 % až 50 %
			0 % až 25 %
			Nabijte akumulátor.
			Došlo pravděpodobně k poruše akumulátoru.

POZNÁMKA: Kapacita udávaná indikátorem se může mírně lišit od skutečné kapacity v závislosti na podmínkách používání a teplotě prostředí.

Přepínání směru otáčení

⚠️ UPOZORNĚNÍ:

- Před zahájením provozu vždy zkontrolujte nastavený směr otáčení.
- S přepínačem směru otáčení manipulujte až poté, co nástroj dosáhne úplného klidu. Provedete-li změnu směru otáčení před zastavením nástroje, může dojít k jeho poškození.

► **Obr.7:** 1. Přepínací páčka směru otáčení

Tento nástroj je vybaven přepínačem směru otáčení. Požadujete-li otáčení ve směru hodinových ručiček, přesuňte páčku přepínače směru otáčení do polohy ↶ (strana A). Pokud potřebujete otáčení proti směru hodinových ručiček, přesuňte páčku do polohy ↷ (strana B).

Je-li páčka přepínače směru otáčení v neutrální poloze, nelze stisknout spoušť nástroje.

⚠️ UPOZORNĚNÍ: Pokud nástroj nepoužíváte, vždy přesuňte přepínač směru otáčení do neutrální polohy.

Nastavení hloubky

► Obr.8: 1. Lokátor

Hloubku lze nastavit otáčením lokátoru. Otáčením ve směru „B“ se hloubka zmenšuje a otáčením ve směru „A“ se zvětšuje. Jedna úplná otáčka lokátoru odpovídá změně hloubky o 2 mm.

► Obr.9: 1. Lokátor

Nastavte lokátor tak, aby byla vzdálenost mezi špičkou lokátoru a hlavou šroubu přibližně 3 mm tak, jak je znázorněno na obrázcích. Do materiálu nebo do kousku náhradního materiálu zavřete zkušební šroub. Není-li hloubka pro daný šroub stále vyhovující, pokračujte v nastavování, až dosáhnete nastavení správné hloubky.

Hák

▲ UPOZORNĚNÍ:

- Při zavěšování nářadí za hák vždy vyjměte akumulátor.
- Nikdy nástroj nezavěšujte ve výšce nebo na potenciálně nestabilním povrchu.

► Obr.10: 1. Hák

Háček je výhodný pro dočasné pověšení nástroje.

MONTÁŽ

▲ UPOZORNĚNÍ:

- Před prováděním libovolných prací na nástroji se vždy přesvědčte, zda je nástroj vypnutý a je odpojen jeho akumulátor.

Instalace a demontáž pracovního nástroje

► Obr.11: 1. Lokátor

Chcete-li nástavec sundat, zatáhněte za lokátor. Potom uchopte nástavec kleštěmi a vytáhněte jej z magnetického držáku. Někdy při vytahování pomáhá, když s nástavcem zavikláte.

► Obr.12: 1. Lokátor 2. Vrták 3. Magnetický držák nástroje

Chcete-li nainstalovat nástavec, zamáčkněte jej pevně do magnetického držáku. Potom nainstalujte lokátor jeho zatlačením dozadu.

Hák

► Obr.13: 1. Drážka 2. Hák 3. Šroub

Háček je výhodný pro dočasné pověšení nástroje. Lze jej nainstalovat na obou stranách nástroje. Při instalaci háčku jej vložte do drážky na jedné ze stran skříně nástroje a zajistěte jej šroubem. Chcete-li háček odstranit, povolte šroub a vysuňte jej.

PRÁCE

Šroubování

► Obr.14

Nasaďte šroub na hrot nástroje a umístěte hrot šroubu na povrch upevňovaného dílu. Vyvířte na nástroj tlak a uveďte jej do chodu. Jakmile se zaktivuje spojka, okamžitě nástroj odstraňte. Poté uvolněte spoušť.

▲ UPOZORNĚNÍ:

- Při nasazování šroubu na hrot nástroje dávejte pozor, abyste šroub nezatlačili. Pokud šroub zatlačíte, dojde k aktivaci spojky a šroub se náhle otočí. To by mohlo vést k poškození dílu a zranění.
- Dbejte, aby byl šroubovákový nástavec nasazen kolmo na hlavu šroubu. V opačném případě může dojít k poškození šroubu a/nebo nástavce.

ÚDRŽBA

▲ UPOZORNĚNÍ:

- Před zahájením kontroly nebo údržby nástroje se vždy přesvědčte, zda je nástroj vypnutý a je odpojen akumulátor.
- Nikdy nepoužívejte benzín, benzen, ředidlo, alkohol či podobné prostředky. Mohlo by tak dojít ke změněm barvy, deformacím či vzniku prasklin.

Kvůli zachování BEZPEČNOSTI a SPOLEHLIVOSTI výrobku musí být opravy, kontrola a výměna uhlíků a veškerá další údržba či seřizování prováděny autorizovanými servisními středisky firmy Makita a s použitím náhradních dílů Makita.

VOLITELNÉ PŘÍSLUŠENSTVÍ

▲ UPOZORNĚNÍ:

- Pro váš nástroj Makita, popsany v tomto návodu, doporučujeme používat toto příslušenství a nástavce. Při použití jiného příslušenství či nástavců může hrozit nebezpečí zranění osob. Příslušenství a nástavce lze používat pouze pro jejich stanovené účely.

Potřebujete-li bližší informace ohledně tohoto příslušenství, obraťte se na vaše místní servisní středisko firmy Makita.

- Křížové zasunovací nástavce
- Magnetický držák nástroje
- Originální akumulátor a nabíječka Makita
- Plastový kufík

POZNÁMKA: Některé položky seznamu mohou být k zařízení přibaleny jako standardní příslušenství. Přibalené příslušenství se může v různých zemích lišit.

Makita Europe N.V. Jan-Baptist Vinkstraat 2,
3070 Kortenberg, Belgium

Makita Corporation 3-11-8, Sumiyoshi-cho,
Anjo, Aichi 446-8502 Japan

www.makita.com

885373A973
EN, UK, PL, RO,
DE, HU, SK, CS
20170823